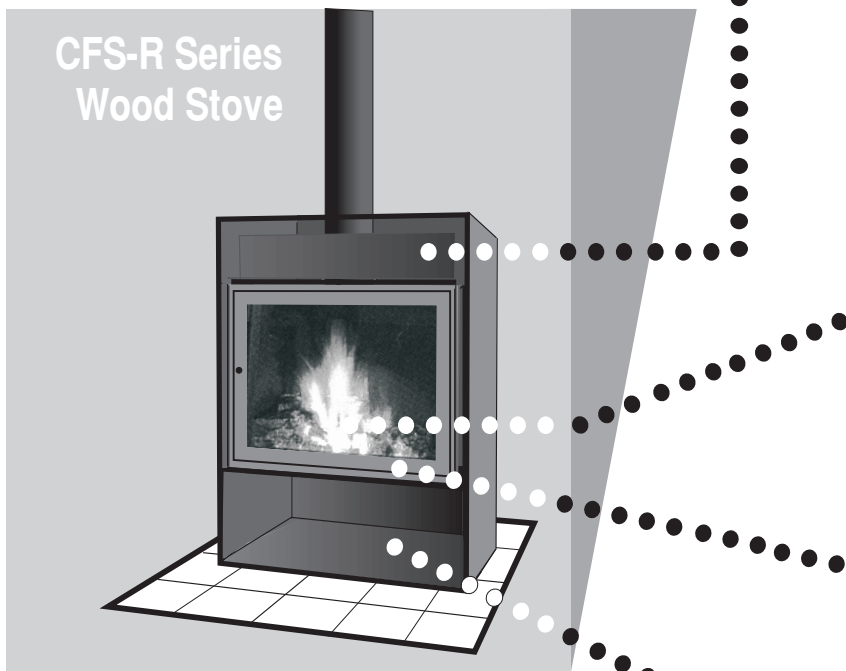


The wood stove that cooks too !

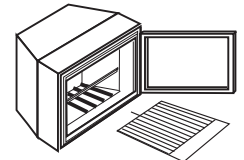
With its built-in food warmer and its BBQ the CFS-R will quickly become indispensable!



CFS-R Series
Wood Stove

Food warmer (optional)

You can reheat your favourite dishes with this clever design that transforms your wood stove in a mini cooker ready to face any situation.



Ajustable BBQ grill

What's more fun than cooking succulent grill over an open fire during winter. Did you know that most chefs agree that wood charcoal is unbeatable for enhancing the flavour of grill and give a special flavour to your dishes. For sure, you will loose interest for your propane barbecue!

Glass door or firescreen

The choice is yours. During cold weather, the large ceramic glass door will give you all the heat you need while providing a perfect view over the fire. In summer, if you want an open fire, remove the glass door (or simply open it) and install the firescreen. And in each case, your stove will work perfectly!

Convection heating for unparalleled comfort

In addition to improving the distribution of heat in the house by creating a continuous air circulation, the convection chamber reduces the required clearances from combustible walls.

Heat an adjoining room

Another great idea that allows you to use your stove to heat a basement or another adjacent room. Installation could not be easier. Details overleaf.

Removable humidifier tray

Another feature exclusive to Don-Bar: An optional stainless steel tray that you only have to fill with water then place on the stove to humidify the air. Simple, environmentally friendly, comfortable. Details overleaf.

You will quickly appreciate the many advantages of this new Series of stoves by Don-Bar.

Designed from our popular insert for built-in masonry fireplaces, the CFS wood stove offers a reliable and safe source of heat in all circumstances. Thanks to his optional food warmer and barbecue grill, you'll be well equipped to deal with any power failure in total comfort! The CFS has really a lot to offer:

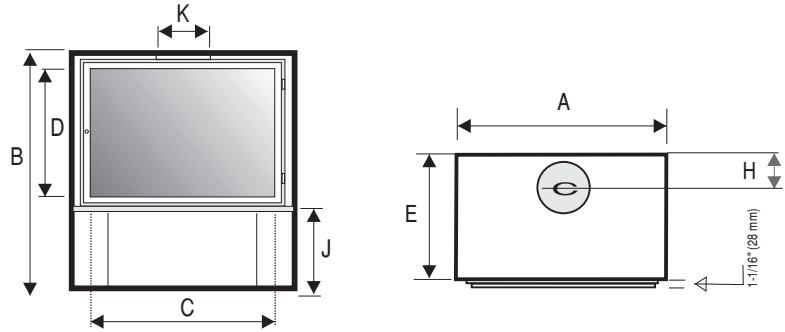
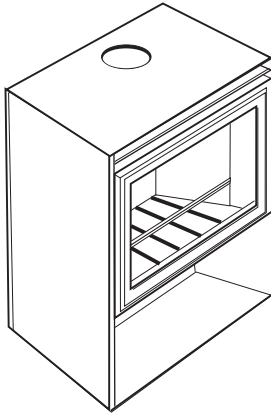
More power: Our new high efficiency "S" damper extracts even more energy from the wood. Furthermore, the airtight door prevents heat loss through the chimney.

More spectacular: The self-cleaning and extra large ceramic glass door means that you can admire, as never before, the spectacle of the fire. But you will not lose the opportunity to enjoy an open fire with the firescreen.

More harmonious: The design with its very clean lines, has been studied to be as unobtrusive as possible to meet up the architectural personality of your home.

More choices: The CFS Series is offered in three versions. You will easily find the Don-Bar stove that best suit your home and your needs.

CFS
(without food warmer)

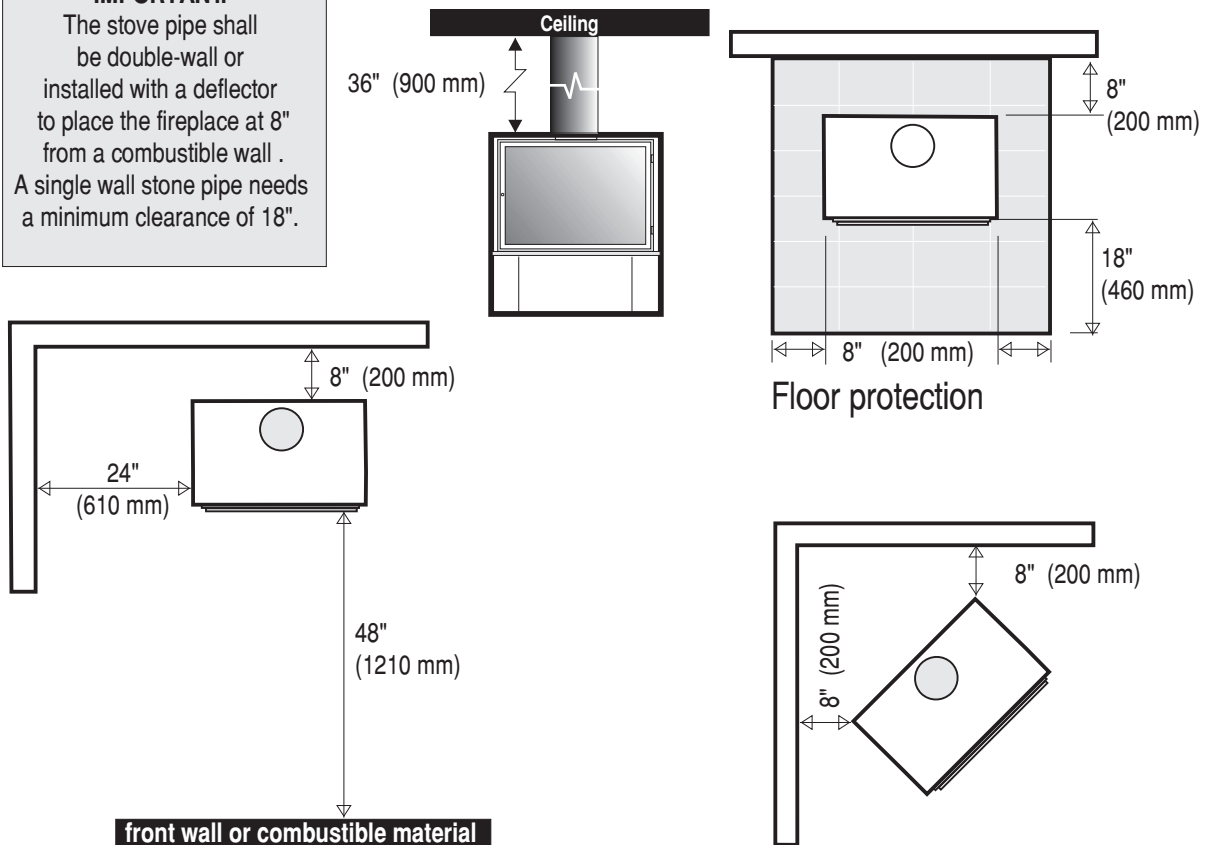


	50-80	60-90	69-61	69-69	69-80	80-60	80-69
A	20-1/2" 521	23-1/2" 597	27-1/4" 692	27-1/4" 692	27-1/4" 692	31-1/2" 800	31-1/2" 800
B	48-1/4" 1226	48-1/4" 1226	48-1/4" 1226	48-1/4" 1226	48-1/4" 1226	48-1/4" 1226	48-1/4" 1226
C	13" 330	16" 406	19-3/4" 502	19-3/4" 502	19-3/4" 502	24" 610	24" 610
D	19-3/4" 502	24" 610	13" 330	19-3/4" 502	19-3/4" 502	16" 406	16" 406
E	20-3/4" 527	22-3/4" 578	20-3/4" 527	20-3/4" 527	20-3/4" 527	22-3/4" 578	22-3/4" 578
H	7-1/8" 181	6-7/8" 175	6-7/8" 175	6-7/8" 175	6-7/8" 175	6-7/8" 175	6-7/8" 175
J	15"min 381	11"min 280	22-1/4" 565	19-1/4" 490	15" 381	22-3/4" 571	19-1/4" 490
K	Outlet 7" reducible to 6" 180 @ 150 mm	Outlet 8" reducible to 7" 200 @ 180 mm	Outlet 8" reducible to 7" 200 @ 180 mm	Outlet 8" reducible to 7" 200 @ 180 mm	Outlet 8" reducible to 7" 200 @ 180 mm	Outlet 8" reducible to 7" 200 @ 180 mm	Outlet 8" reducible to 7" 200 @ 180 mm

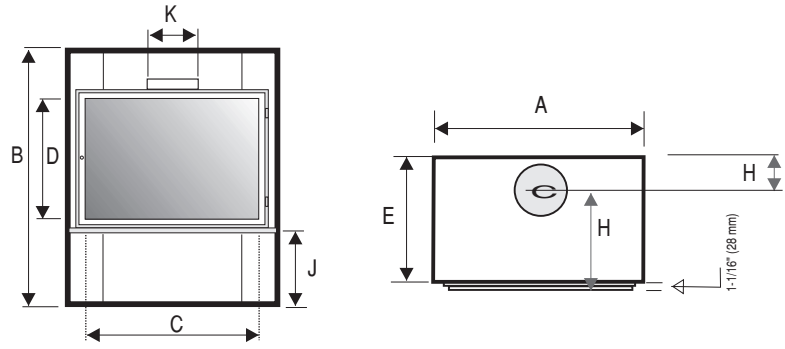
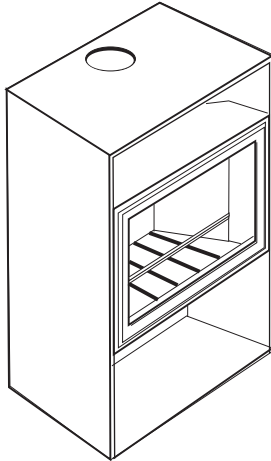
IMPORTANT:

The stove pipe shall be double-wall or installed with a deflector to place the fireplace at 8" from a combustible wall. A single wall stone pipe needs a minimum clearance of 18".

MINIMUM CLEARANCES



CFS-R
(with food warmer)

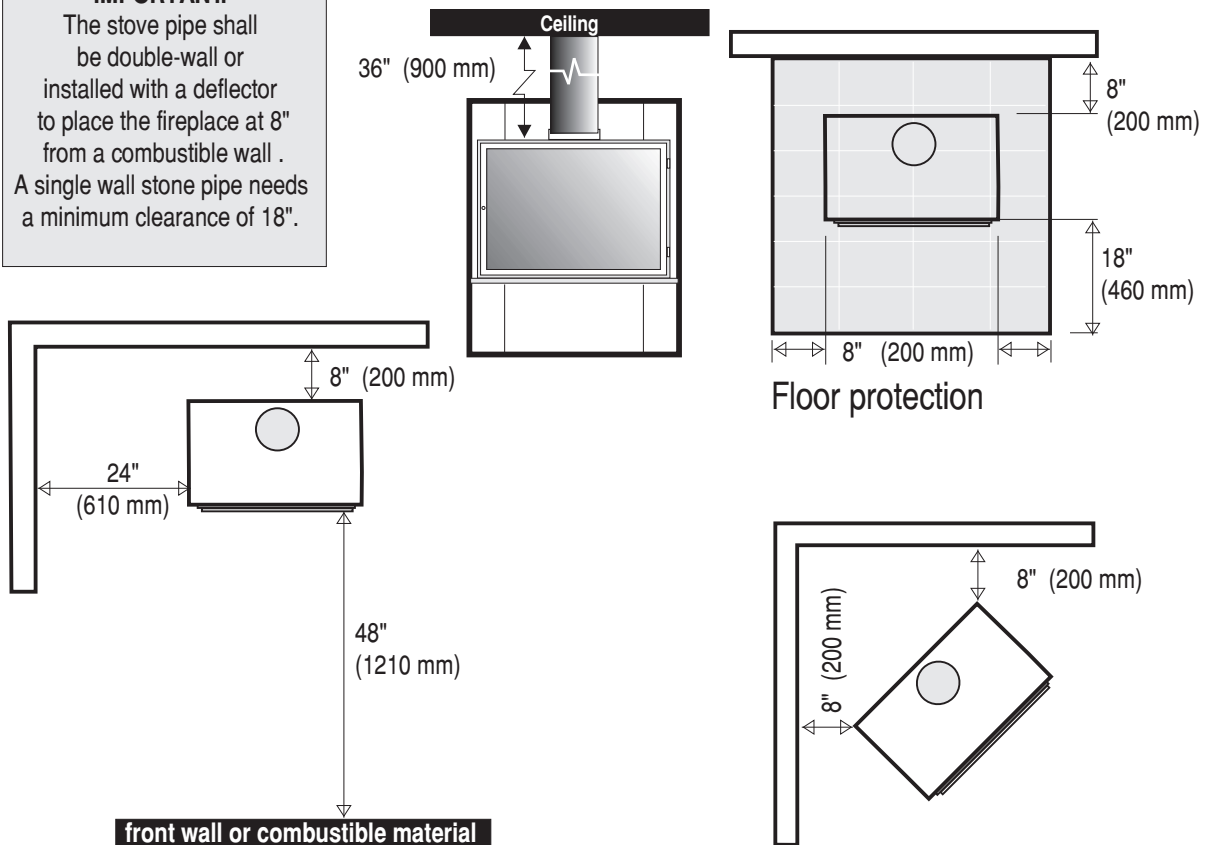


	69-61 CFR-S		69-69 CFR-S		80-69 CFR-S	
A	27-1/4"	692	27-1/4"	692	31-1/2"	800
B	48-1/4"	1226	48-1/4"	1226	48-1/4"	1226
C	19-3/4"	502	19-3/4"	502	24"	610
D	13"	330	19-3/4"	502	16"	406
E	20-3/4"	527	20-3/4"	527	22-3/4"	578
H	6-7/8"	175	6-7/8"	175	6-7/8"	175
J	17"	432	14"	356	14"	356
K	Outlet 8" reducible to 7"	200 180 mm	Outlet 8" reducible to 7"	200 180 mm	Outlet 8" reducible to 7"	200 180 mm

IMPORTANT:

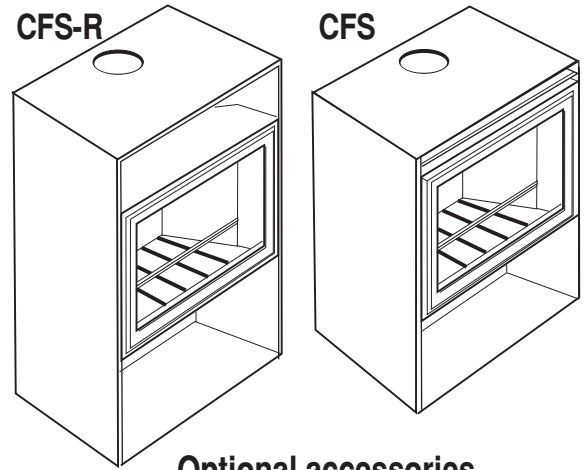
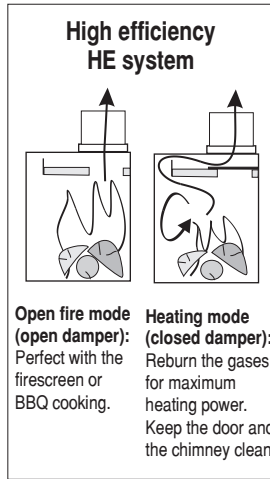
The stove pipe shall be double-wall or installed with a deflector to place the fireplace at 8" from a combustible wall. A single wall stove pipe needs a minimum clearance of 18".

MINIMUM CLEARANCES

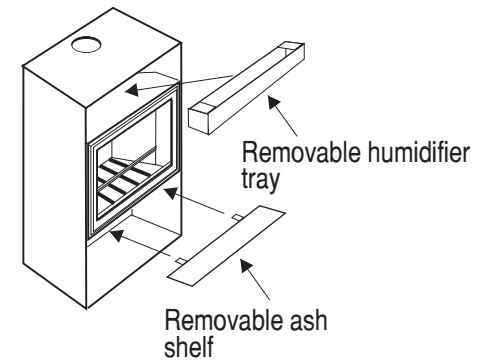


The 3 secrets of Don-Bar wood stoves

- 1** First, contrary to other controlled-combustion stoves the air intake for the fire is **adjusted with two valves**: the first is at the fire level and the second at the smoke outlet. This double adjustment raises the temperature in the combustion chamber at its maximum thus keeping the glass clean while ensuring better combustion.
- 2** Secondly, as the large glass door stays clean, **infrared radiation easily passes through to warm you up**.
- 3** Thirdly, the heat radiated by the stove is **quickly recovered and recirculated** by convection into the house thanks to the double wall design.



Optional accessories



Specifications

VERSION	50-80	69-61	69-69 / 69-80	80-60 / 80-69
Power - Kw/h	12	15	18	20
Power - Btu/h	41,000	52,000	62,000	68,000
Heated space	500 à 1000 sq.ft.	700 à 1600 sq.ft.	900 à 1800 sq.ft.	1000 à 2000 sq.ft.
Chimney outlet	6" or 7" (150/180)	6" or 7" (150/180)	7" or 8" (180/200)	7" or 8" (180/200)
Log size - max.	16" (405 mm)	16" (405 mm)	20" (508 mm)	20" (508 mm)
Vision	260 sq.in.	260 sq.in.	400 sq.in.	480 sq.in..

Options: BBQ grill. Firescreen. Anti-smoke flap. Heating system for an adjacent room. Ash shelf. Humidifier tray. Outside air intake.

Optional heating system for a basement or an adjacent room

