

9000 Series - Data Sheet

LES FOYERS **DON-BAR** FIREPLACES

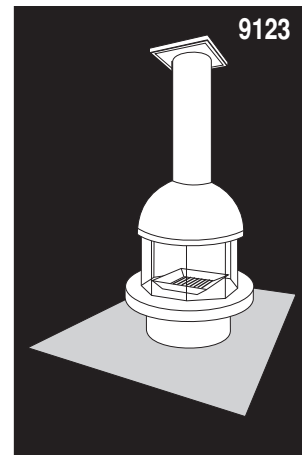
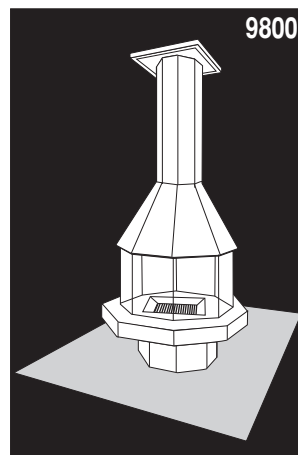
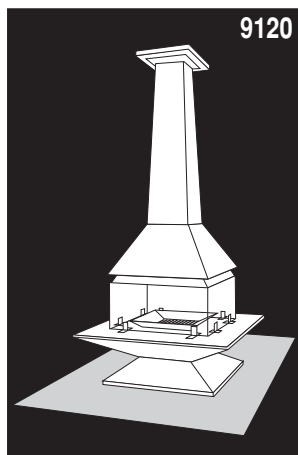
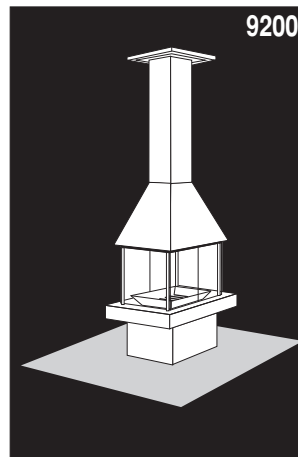
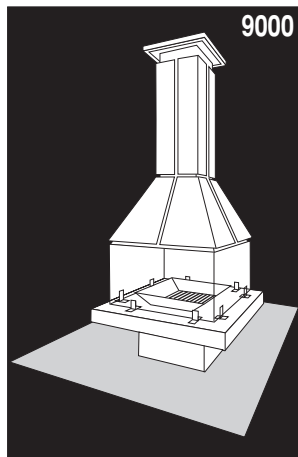
Visible from all angles our central fireplace can heat up to 1500 square feet without the need for electric fans thanks to its comfortable radiant heat that spreads naturally in all directions.

The outside air intake located under the base supplies the required oxygen and makes the flame animated.

In addition, the self-cleaning glass will increase the pleasure that you get each day from good fire.

The all steel fabrication combined with the sober lines mean a fireplace that will stand the time and modes

In sum, a true investment-grade purchase that has been proven for over 35 years.



FREE-STANDING FIREPLACES

Les foyers DON-BAR Fireplaces, inc.
Shop and Showroom: 741, St-Vallier Ouest, Quebec (Quebec) G1N 1E2
Phone: (418) 686-9114 - Fax: (418) 686-9117
Website: www.don-bar.com - Email: don-bar@don-bar.com

FREE-STANDING FIREPLACES

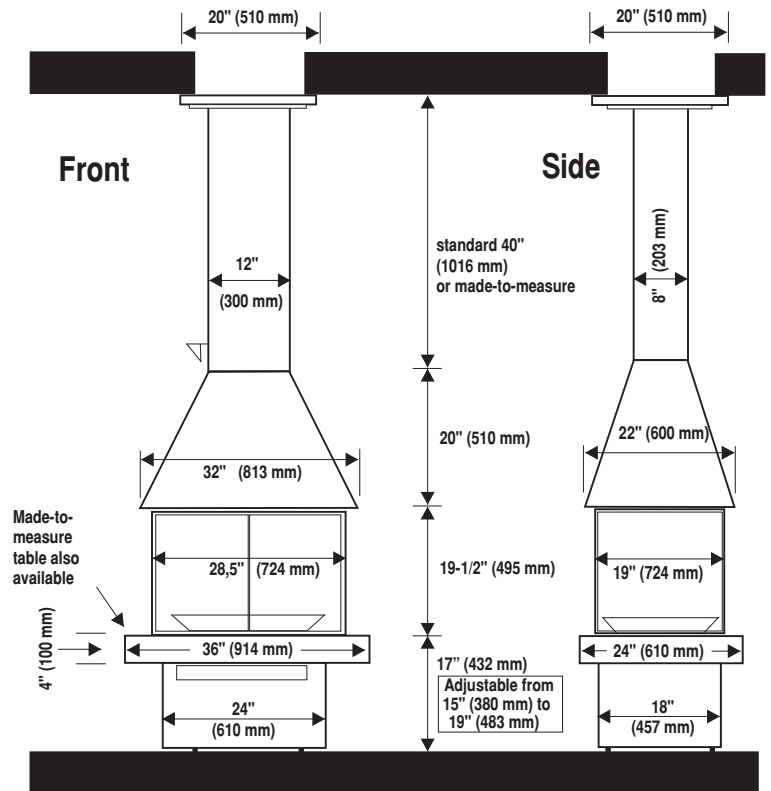
FEATURES

- The universal ceiling support allows to choose or change the fireplace model after the installation of the chimney.
- Factory-built chimney outlet of 10" I.D. (8" I.D. permitted if the chimney height is more than 18 ft above the ceiling support)
- Ash tray (except 9120)
- Outside air intake - 6" I.D. (150 mm)
- Full view glass doors
- Adjustable base
- Airtight smoke damper
- Heat up to 1500 square feet

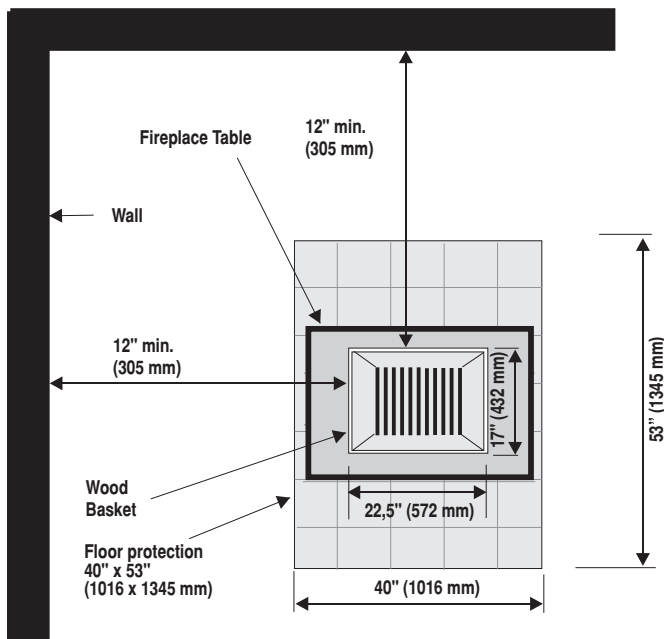
OPTIONS

- Standard fireplace height: 8'-0" (2438 mm). However, we can fabricate custom fireplaces to fit any ceiling height or angle.
- BBQ grill.
- Facings (9000, 9200 et 9800) and decorative strips available in many colors.
- Hinged glass doors (9000 and 9120)
- Heat shields for walls
- Custom finishes available

9200



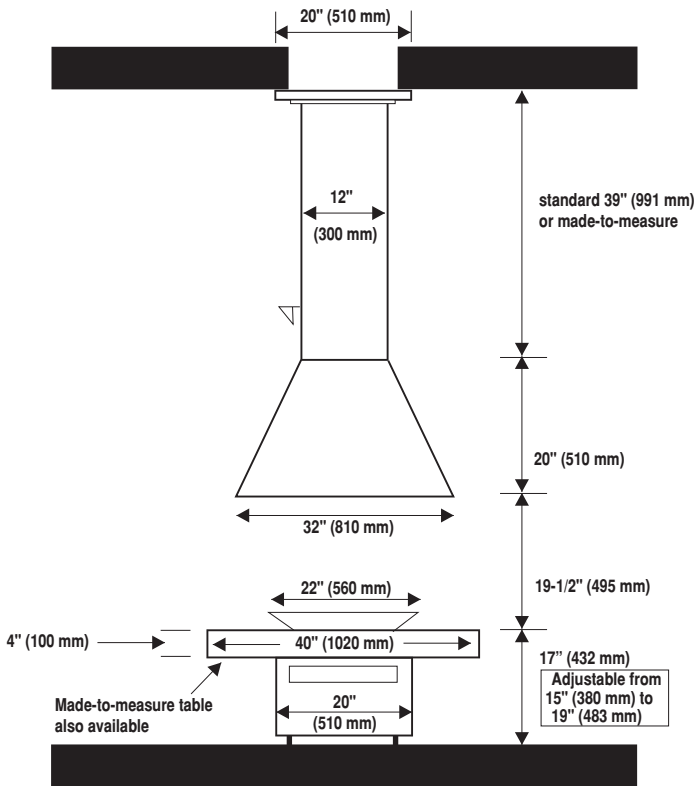
MINIMUM REQUIRED CLEARANCES - 9200



Floor Protection:

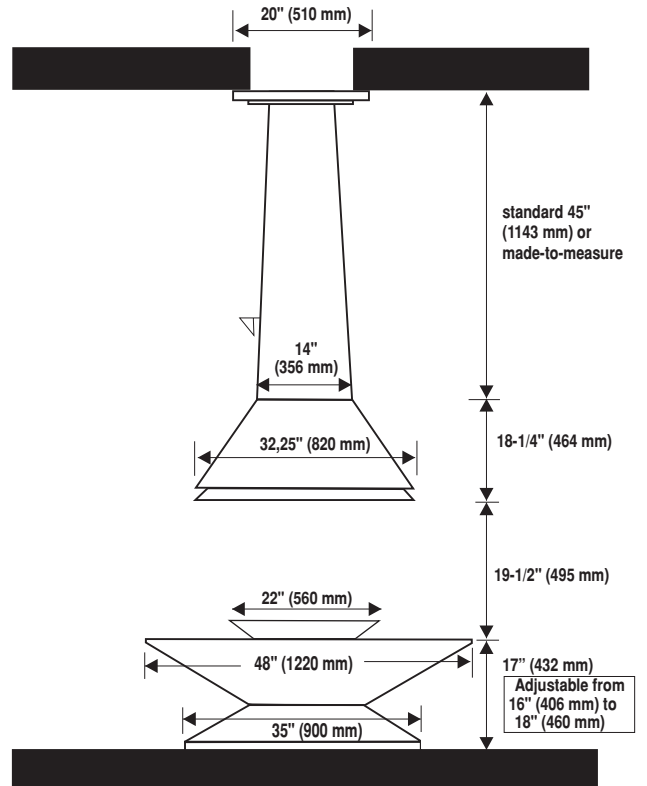
This fireplace is approved with a wood basket placed at 12" (305 mm) of a combustible wall. In this case the floor protection shall be extended to the wall.

9000

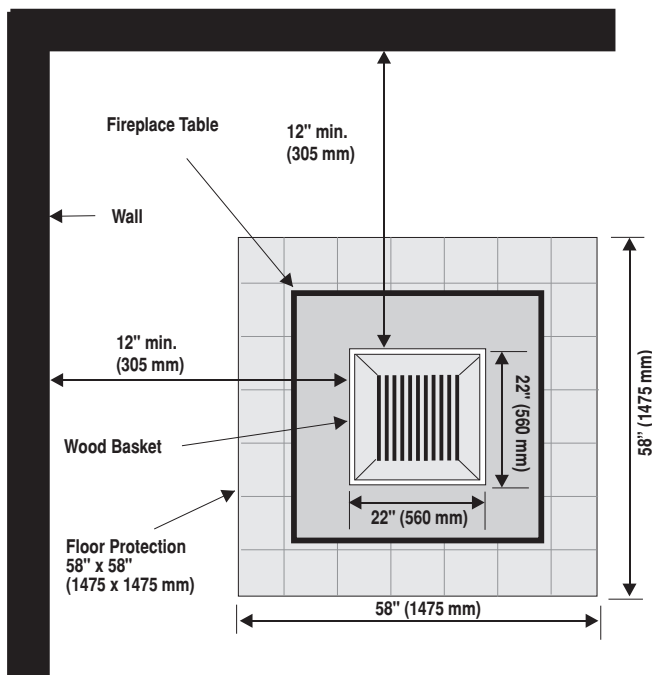


* Table of 32" x 32" (813 x 813 mm) available with glass door only (9000PV)

9120



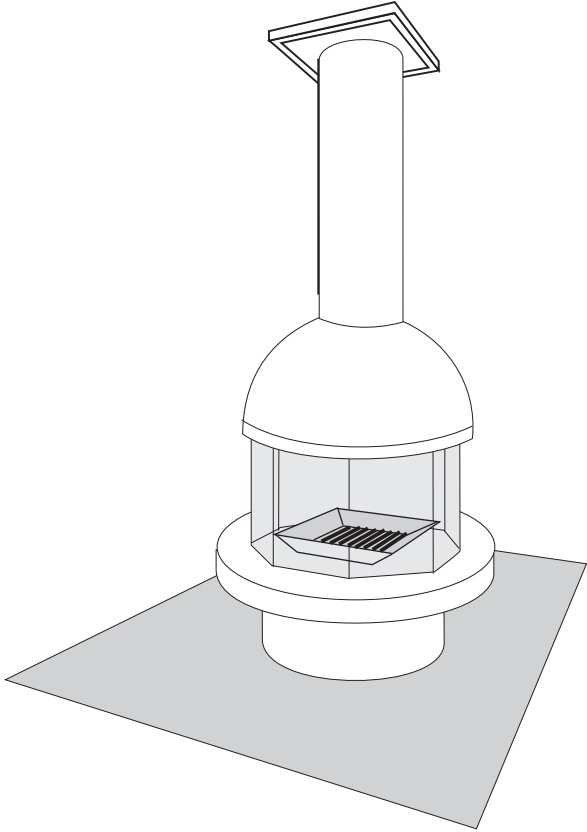
MINIMUM REQUIRED CLEARANCES - 9000 and 9120



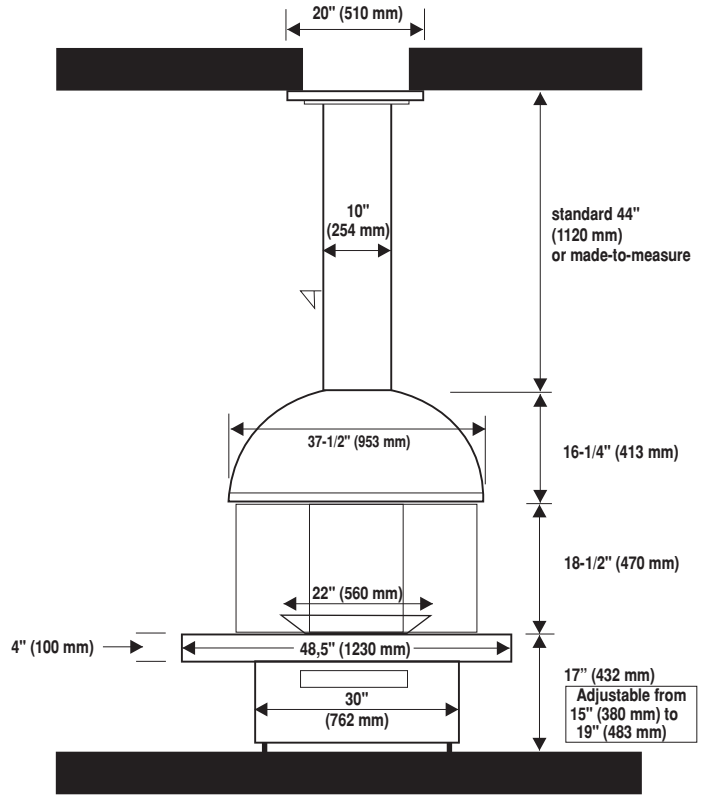
Floor Protection:

This fireplace is approved with a wood basket placed at 12" (305 mm) of a combustible wall. In this case the floor protection shall be extended to the wall.

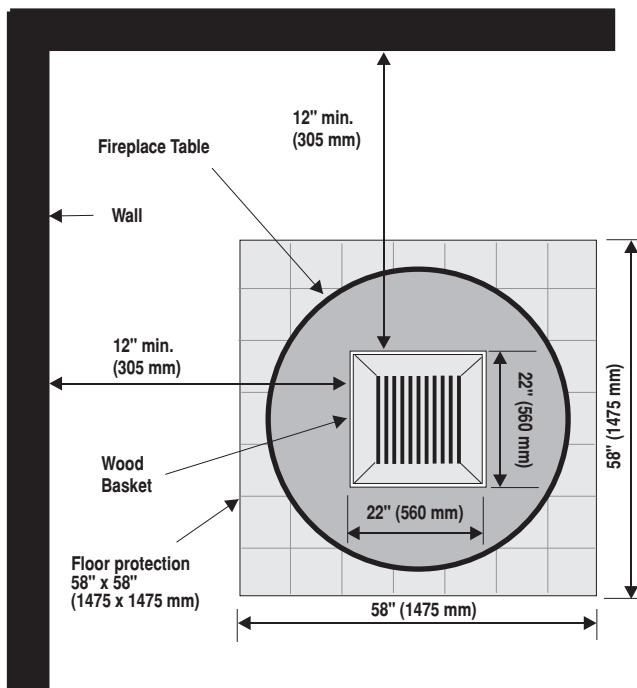
9123



9123



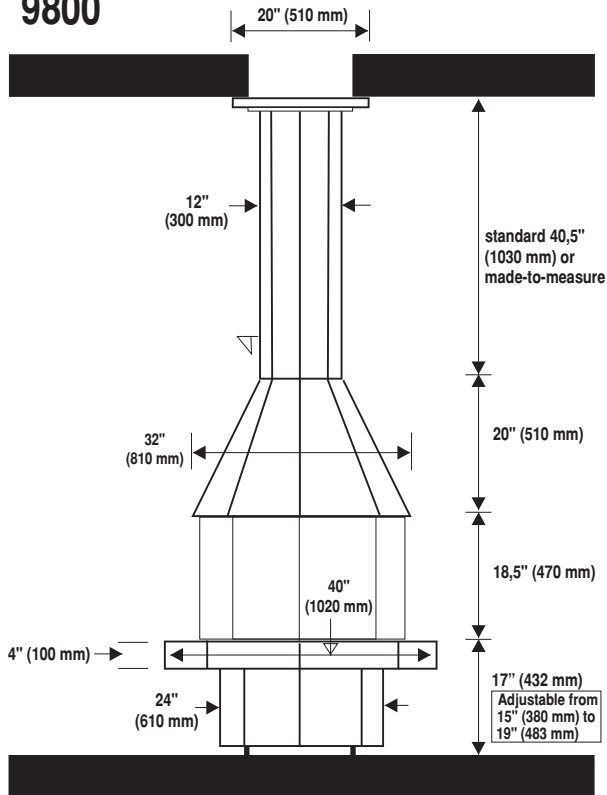
MINIMUM REQUIRED CLEARANCES - 9123



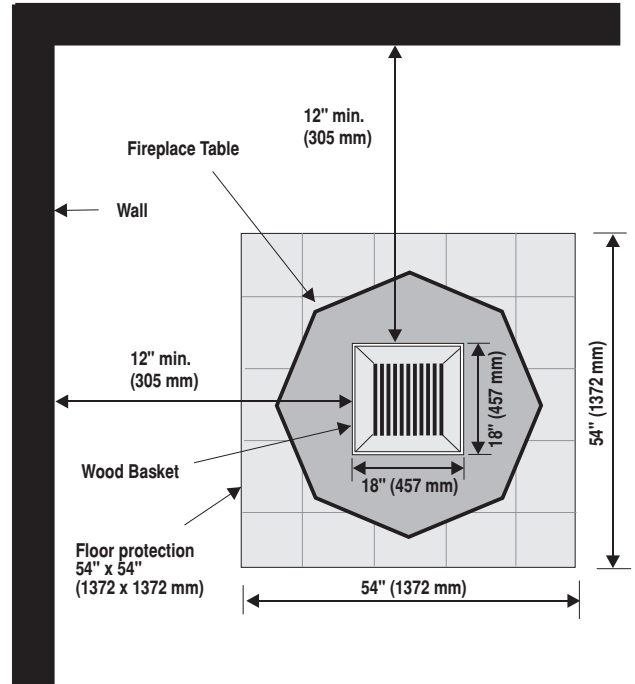
Floor Protection:

This fireplace is approved with a wood basket placed at 12" (305 mm) of a combustible wall. In this case the floor protection shall be extended to the wall.

9800



MINIMUM REQUIRED CLEARANCES - 9800

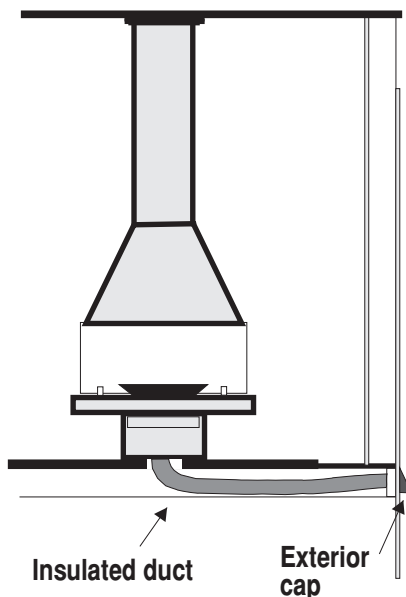


Floor Protection:

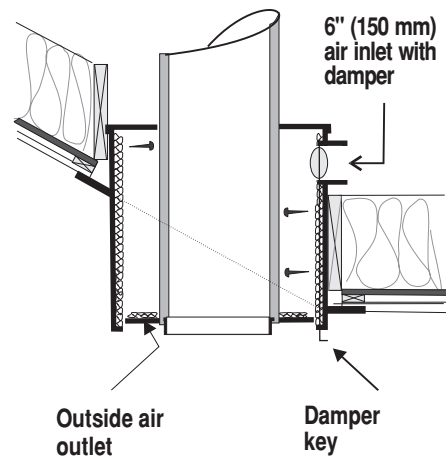
This fireplace is approved with a wood basket placed at 12" (305 mm) of a combustible wall. In this case the floor protection shall be extended to the wall.

9000 Series Outside air intake (two choices)

Under the base



From a special custom made cathedral ceiling support

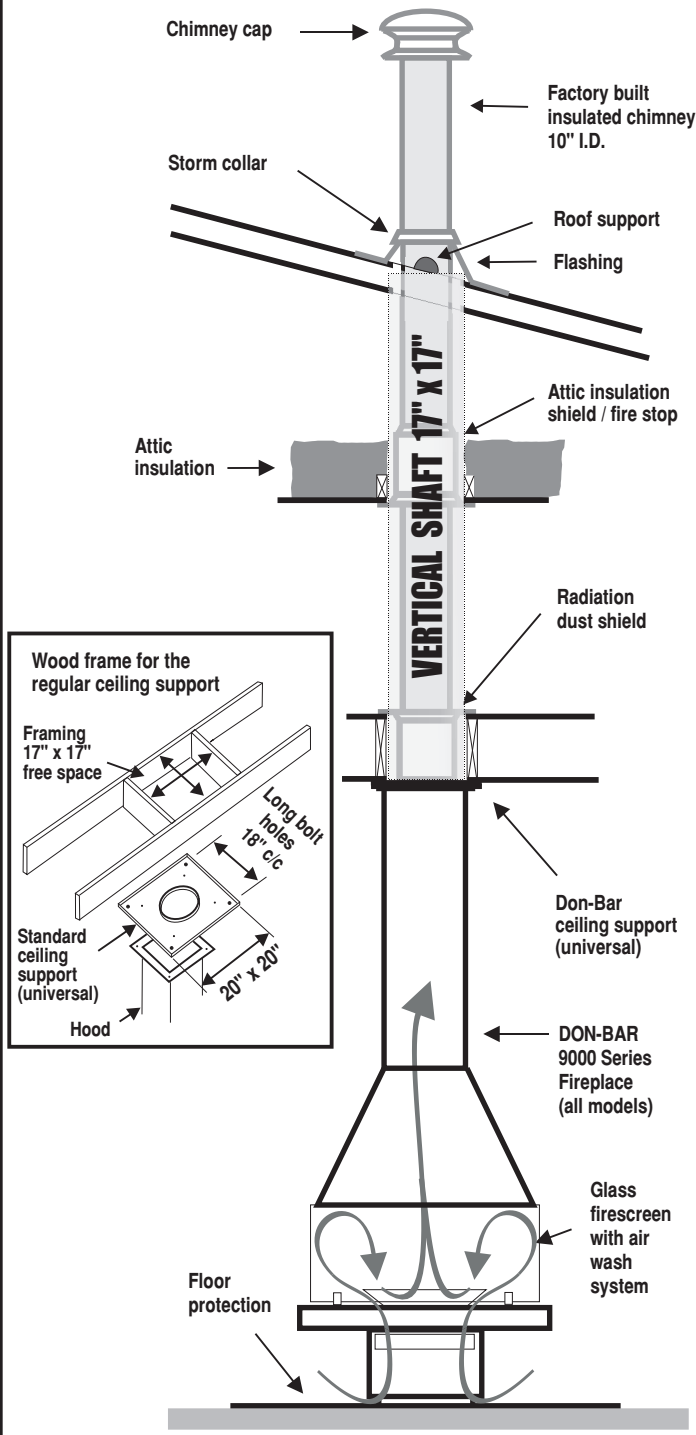


LES FOYERS DON-BAR FIREPLACES

PREPARATION - 9000 SERIES (all models)

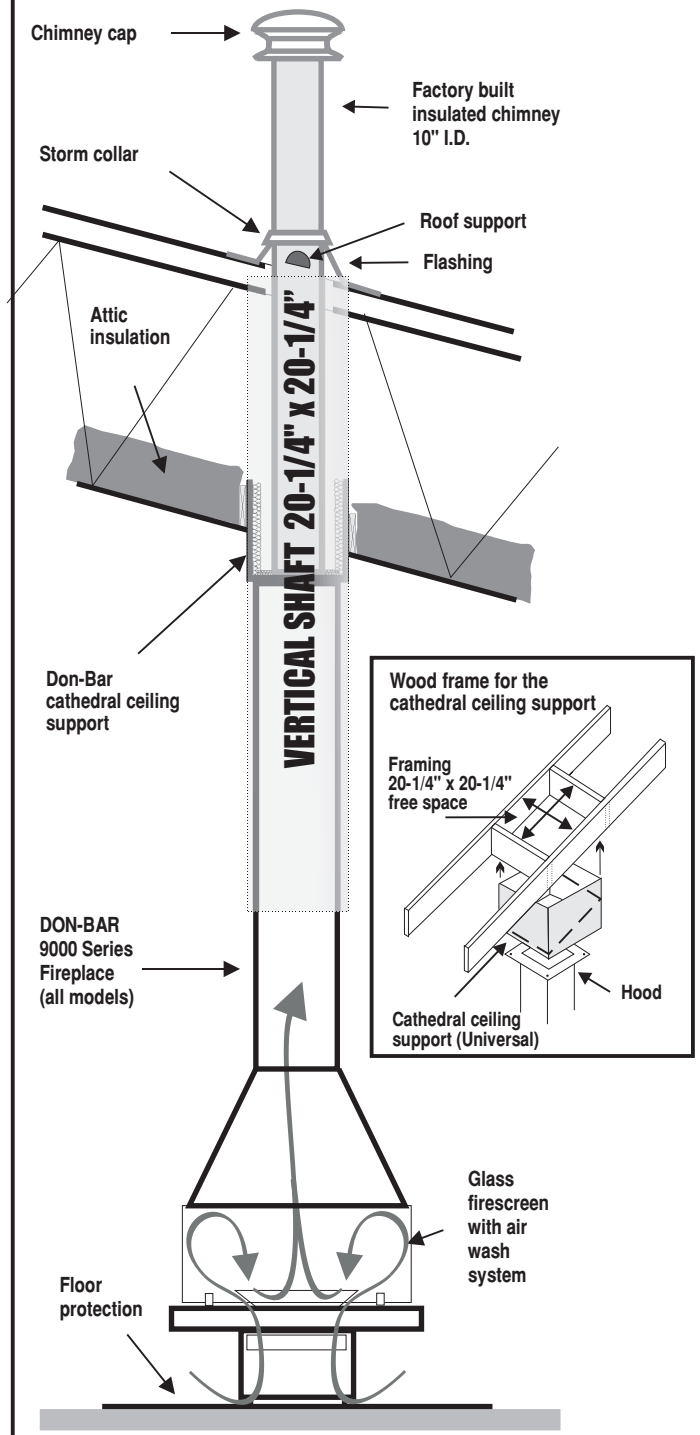
Standard ceiling support

VERY IMPORTANT : A continuous vertical shaft of 17" x 17" (430 mm x 430 mm) minimum must be planned for the installation of the chimney and its ceiling support. This technical shaft must be free of joists, beams, trusses, pipes, electrical wires, etc. before the installation of the chimney. See the the Installation Manual for permitted maximum chimney offsets.



Cathedral ceiling support

VERY MPORTANT : A continuous vertical shaft of 20-1/4" x 20-1/4" (515 mm x 515 mm) minimum must be planned for the installation of the chimney and its ceiling support. This technical shaft must be free of joists, beams, trusses, pipes, electrical wires, etc. before the installation of the chimney. See the the Installation Manual for permitted maximum chimney offsets.



NOTE: All ceiling supports (standard and cathedral) are universal for all models of the 9000 Series. This means that the fireplace model can be chosen after the installation of the chimney.

Don-Bar, 741 St-Vallier West, Quebec, QC G1N 1E2 - Tel: (418) 686-9114 Fax: (418) 686-9117 Web: www.don-bar.com Email: don-bar@don-bar.com

Empty box for notes.

THE 9000 SERIES FIREPLACES MEET THE REQUIREMENTS OF:
ULC S627 - Space Heater for use with Solid Fuel, 2000
UL 1482 - Standard for Safety Solid-Fuel Type Room Heater, 2006
EPA - Certified EPA Exempt



- Customer copy
to fill and remit to Don-Bar
- Contractor copy

**Preparation to be made by the contractor
 before the installation to avoid problems and delays**

IMPORTANT

Please give these instructions to your contractor and return us the required information as soon as possible. **Without this information the production of your fireplace may be delayed.**

The installation of the chimney should be done after the installation of the roof, but before installing the drywall. **Please advise us of the following dates:**

- ▶ **Installation of the roof:**
- ▶ **Drywall installation :**
- ▶ **Delivery of the home :**

The location of the chimney as well as the vertical shaft for the passage of the chimney must be **free of any material or object** and the required clearances and nailing must be provided.

All the preparatory work necessary for the installation of the chimney and the fireplace, such roof framing, special base for elevating the fireplace (if applicable), and other required preparatory work, must be made before the scheduled installation date and this, **by your contractor**.

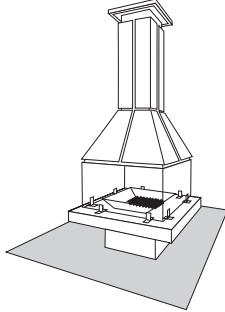
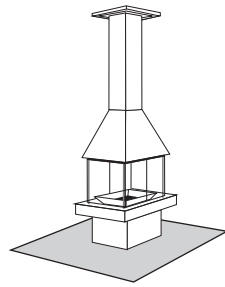
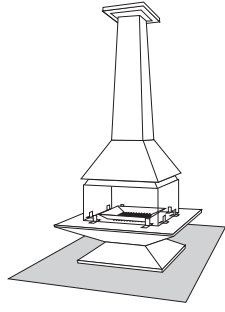
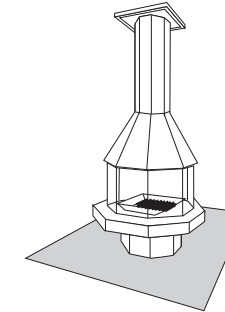
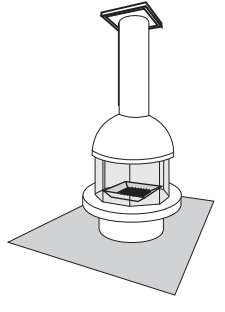
Please notify us of any change (delay or advancement) in regard the installation dates indicated.

For the fabrication of your fireplace, we need the **precise height between the finished floor and the finished ceiling**. Please notify us as soon as it is known. Do not forget to add the thickness of the ceramic or stone tiles on the floor under the fireplace (or, where appropriate, the height of any special base).

- ▶ **Height :**

Drawing (if necessary)

Check the fireplace model to be installed

<input type="checkbox"/> 9000 	<input type="checkbox"/> 9200 		
<input type="checkbox"/> 9120 	<input type="checkbox"/> 9800 	<input type="checkbox"/> 9123 	

For dimensions, clearances and other technical data please see the Fireplace **Data Sheet**

For installation instructions please see the **Installation, operation and maintenance Manual**

Both guides can be downloaded directly from the Don-Bar website:
www.don-bar.com

