

# Installation, Operation and Maintenance Manual

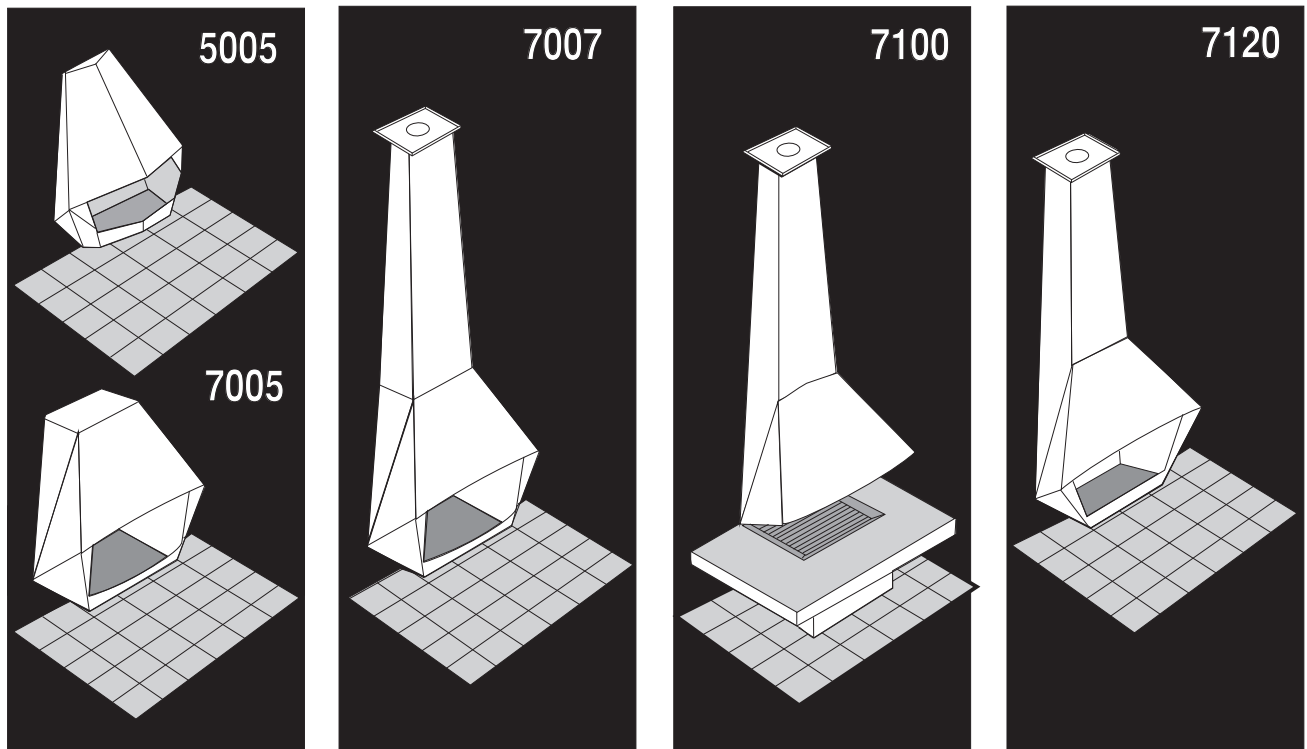
## LES FOYERS

---

# DON-BAR

---

## FIREPLACES



## OPEN FIREPLACES

Les foyers DON-BAR Fireplaces, inc.  
Shop and Showroom: 741, St-Vallier Ouest, Quebec (Quebec) G1N 1E2  
Phone: (418) 686-9114 - Fax: (418) 686-9117  
Website: [www.don-bar.com](http://www.don-bar.com) - Email: [don-bar@don-bar.com](mailto:don-bar@don-bar.com)

# **LES FOYERS**

---

---

# **DON-BAR**

---

---

## **Installation, Operation, and Maintenance Manual**

The manual is divided into 5 parts:

<b>PART 1: Installation .....</b>	<b>Page 2</b>
<b>PART 2: Operation and Maintenance....</b>	<b>Page 21</b>
<b>PART 3: Parts List .....</b>	<b>Page 26</b>
<b>PART 4: Chimney Fires .....</b>	<b>Page 27</b>
<b>PART 5: Warranty .....</b>	<b>Page 28</b>

### **IMPORTANT**

**Don-Bar fireplaces are not designed to be connected to air-ventilated factory-built chimneys.**

**1. Important notice****2. Listed chimneys**

## 2.1 Compatible chimneys

**3. Before beginning the installation**

- 3.1 Choosing the best location
- 3.2 Chimney
- 3.3 Chimney minimum height
- 3.4 Minimum clearances for combustible materials
- 3.5 Exterior doors and windows

**4. Preparation before anchoring the wall support bracket**

- 4.1 Required solid backing
- 4.2 Interior partitions
- 4.3 Exterior walls

**5. Installation of the wall bracket**

- 5.1 Regular wall support bracket
- 5.2 Modified wall support bracket
- 5.3 Wall bracket height and alignment
- 5.4 Anchoring the wall support bracket

**6. Types of installations**

- 6.1 Chimney outlets

**7. Chimney - Wall outlet**

- 7.1 Height of the chimney wall outlet
- 7.2 Alignment of the wall support bracket
- 7.3 Diameter of the hole for the chimney passage

**8. Chimney - Regular ceiling**

- 8.1 Regular ceiling adaptor
- 8.2 Radiation shield/firestop

**9. Chimney - Cathedral ceiling**

- 9.1 Cathedral ceiling adaptor
- 9.2 Decorative collar
- 9.3 Rigid fiberglass insulation

**10. Factory-built chimney installation**

- 10.1 Listed parts
- 10.2 Manufacturer's instructions
- 10.3 Obstructions
- 10.4 Maximum allowed offsets
- 10.5 Chimney weight
- 10.6 Starting a chimney on a ceiling adaptor
- 10.7 Radiation shield/firestop
- 10.8 Minimum chimney height above the roof
- 10.9 Flashing watertightness
- 10.10 Roof braces

## 10.11 Chimney top

**11. Fireplace installation**

- 11.1 Heat shield
- 11.2 Preliminary insertion of the hearth plate bolt (Fireplace 7100 only)
- 11.3 Fireplace mounting
- 11.4 Joint between the fireplace and the chimney

**12. Floor protection installation**

- 12.1 Floor protection
- 12.2 Removing the existing resilient flooring
- 12.2 Protection under the pedestal

**13. Fireplaces 5005, 7005, 7007, 7120: Refractories and hearth plate**

- 13.1 Refractories installation
- 13.2 Mounting of the central and the two lateral steel hearth plates

**14. Fireplace 7100: pedestal and hearth plate mounting**

- 14.1 Fireplace 7100 - Pedestal mounting
- 14.2 Fireplace 7100 - Hearth plate installation
- 14.3 Installation of the optional decorative finish on the 7100 table

**15. Firescreen installation**

- 15.1 Fireplaces 5005, 7005, 7007, 7120
- 15.2 Fireplace 7100

**16. BBQ grill installation**

- 16.1 Fireplaces 5005, 7005, 7007, 7120
- 16.2 Fireplaces 7100
- 16.3 BBQ grill mounting

**17. Outside air intake installation**

- 17.1 Important note
- 17.2 Duct type and diameter
- 17.3 Sealing the vapor barrier
- 17.4 Outside hood

# PART 1: INSTALLATION

## 1. IMPORTANT NOTICE

**WARNING:** Any modification, change, or substitution of any fireplace component and/or not following the installation, operation, and maintenance instructions can void the warranty and put your security at risk.

1.1 Before installation begins, carefully read the manual and contact your local building department to determine whether a building permit is required to install a fireplace.

1.2 The installation must follow the instructions in this manual and local building codes. If there is a conflict, you must follow the more restrictive measures.

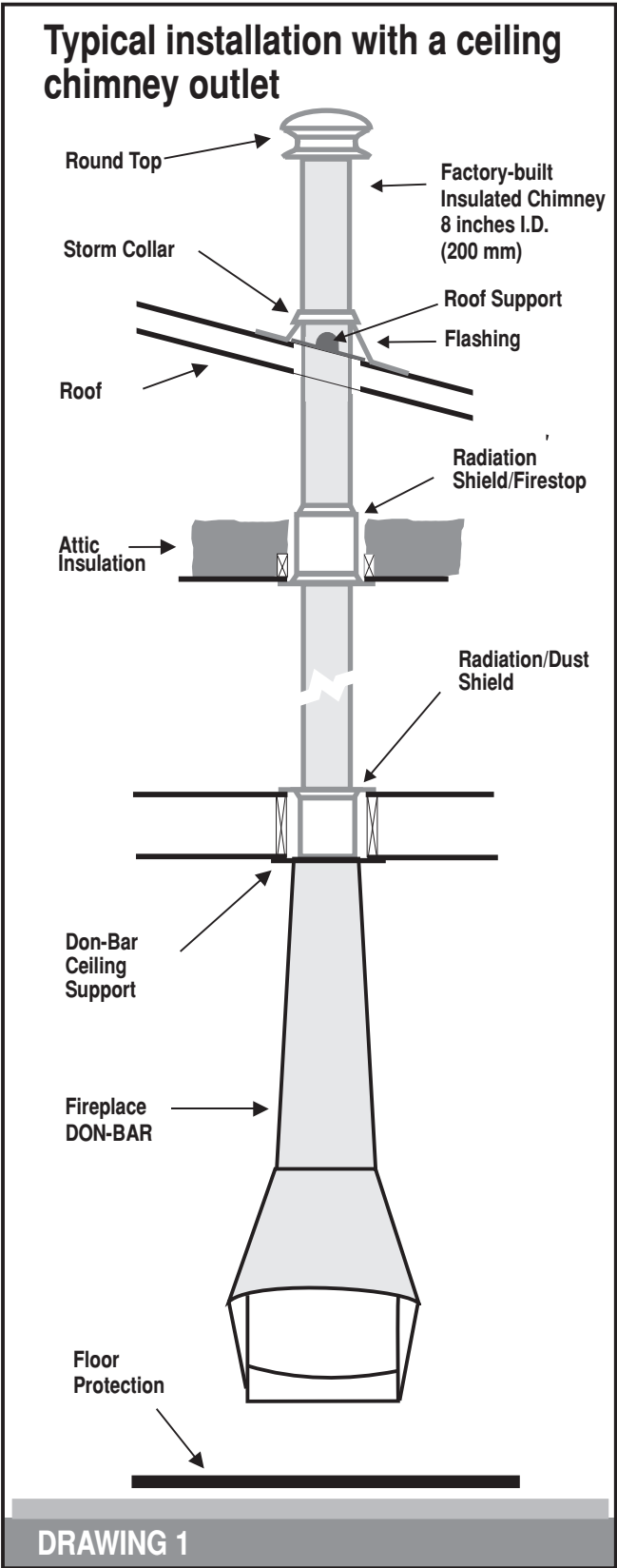
1.3 Your fireplace can be installed by anyone who has basic carpentry skills. If you are not sure if you can do the work yourself, don't hesitate to enlist the services of a professional fireplace fitter.

1.4 Before lighting your first fire, read the instructions of Part 2 regarding operating the fireplace.

1.5 Your fireplace produces heat and provides great ambiance but it should not be used as the main source of heating.

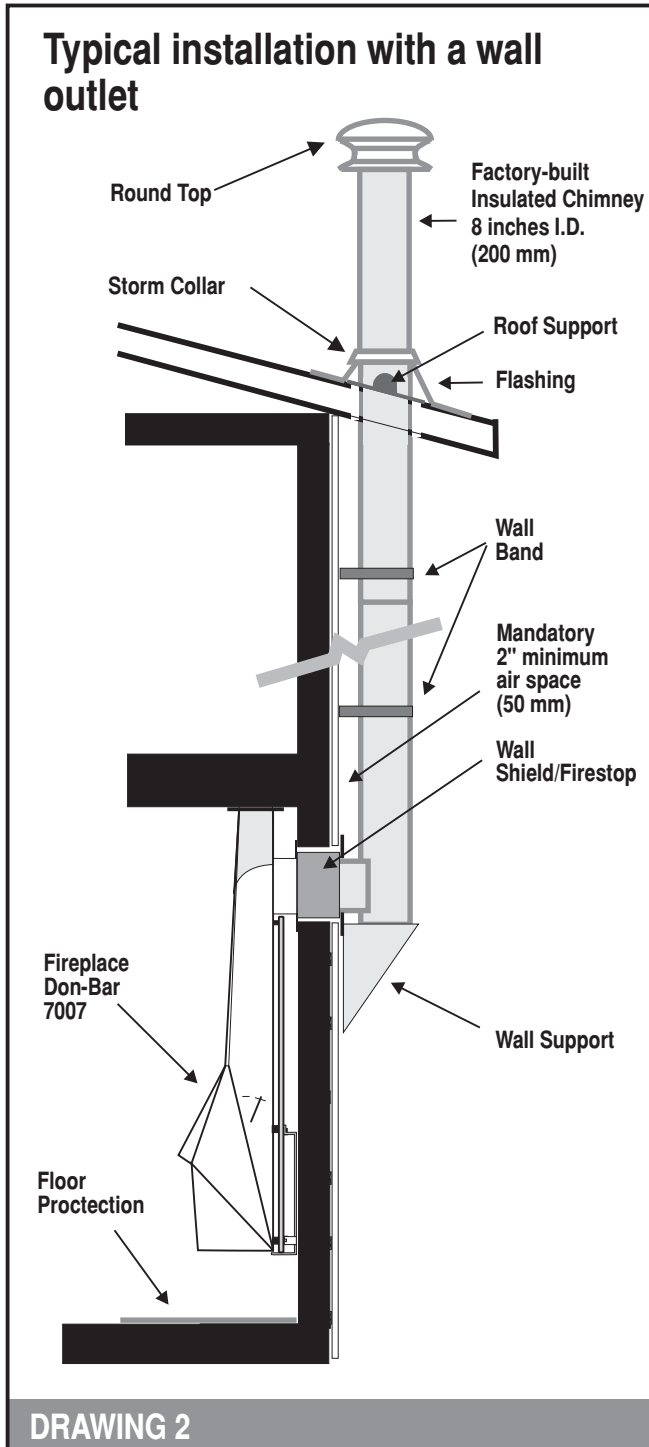
## 2. Listed chimneys

**2.1 Approved chimneys:** Your Don-Bar fireplace is designed to be installed with any 8" I.D. ((200 mm) masonry or prefabricated chimney bearing the ULC label S-610 or S-629 (2100 degrees) or the UL-103HT label.



### 3. Before beginning the installation

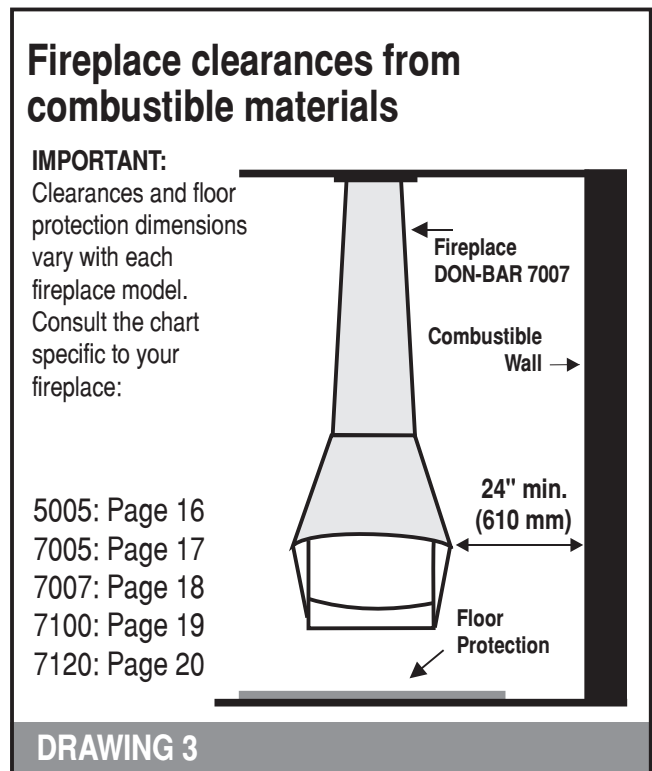
**3.1 Choosing the best location:** Before beginning the installation, make sure the spot you have in mind for the fireplace and the chimney meet the following requirements:



**3.2 Chimney:** Position the chimney to avoid, as much as possible, offsets, elbows, and the cutting-out of structural elements. **The weight of the chimney must not be supported by the fireplace.** Allow at least 2" (50 mm) for air space between the chimney and any combustible material including electrical cables and plastic plumbing pipes. Never fill this air space with insulation. For example, if the chosen factory-built chimney has an outside diameter of 10" (250 mm), by adding the required 2" (50 mm) air space, **a minimum 14" (355 mm) free continuous path** is required to install the chimney. If the fireplace has a ceiling outlet, it is usually easier to install the fireplace first, then the chimney. Do not connect this fireplace to a chimney connected to another heating device.

**3.3 Chimney minimum height:** 15 feet (4600 mm). This length is measured from the floor where the fireplace is installed to the top of the chimney.

**3.4 Minimum clearances from combustible materials:** Position the fireplace (*Drawing 3*) to allow for the minimum mandatory clearances



from combustible materials (including furniture, drapes and other flammable objects). Note that Type X fire-resistant gypsum board (Firecode) is considered combustible for fireplaces installations and as such, requires the minimum 48" (1220 mm) clearance.

**3.5 Exterior doors and windows:** As much as possible, avoid installing the fireplace too close to an outside door or window because air turbulence and drafts disrupt the chimney draft.

## 4. Preparation before anchoring the wall support bracket

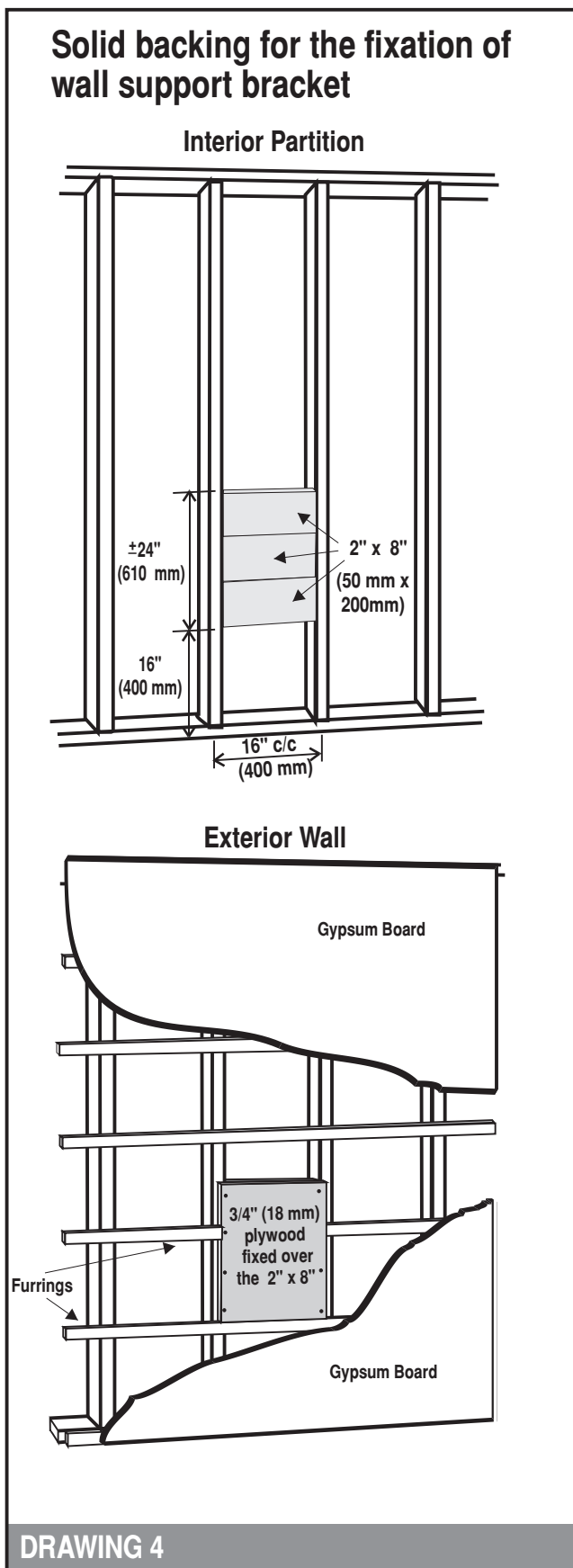
**4.1 Solid backing required:** Before installing the fireplace on a wood-framed wall, the wall must be reinforced to provide a solid backing to anchor the fireplace wall support bracket.

**4.2 Interior partitions:** Horizontally install three 2" x 8" (50 mm x 200 mm) between the studs of the partition as shown in *Drawing 4*.

**4.3 Exterior walls:** Install the three 2" x 8" pieces specified in article 4.2, then place a 3/4" (18 mm) plywood over them. The plywood should be flush with the wall furring. The objective is to build a solid backing to anchor the wall support bracket.

## 5. Installation of the wall bracket

**5.1 Regular wall support bracket (*Drawing 5*):** The fireplace is shipped with a wall support bracket in the form of an inverted T. When installed against a wood framed wall, it is necessary to provide a solid wood backing for the fixation of the bracket long bolts. If the fireplace is installed on a masonry wall, the bracket is fixed directly on the wall by steel expansion nuts and bolts.



**5.2 Modified wall support bracket (Drawing 5):** If it is impossible to install a solid wood backing on the rear wall, Don-Bar can furnish, on request, a modified wall support bracket. This modified bracket consists of a steel plate that will allow you to drill the necessary holes to reach the structural elements of the wall according to the conditions.

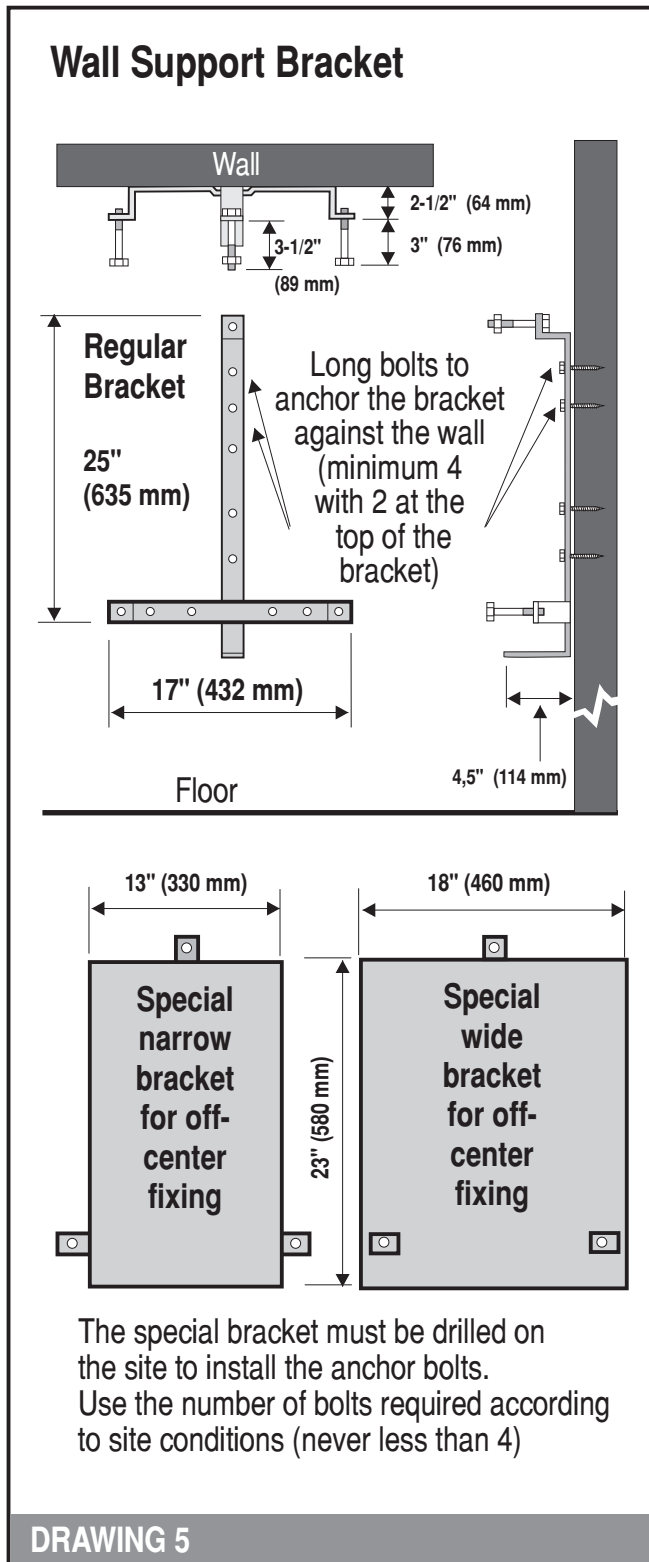
request, a modified wall support bracket. This modified bracket consists of a steel plate that will allow you to drill the necessary holes to reach the structural elements of the wall according to the conditions.

**5.3 Wall bracket height and alignment:**

**.1 Fireplaces 7007, 7100, 7120:** In order for the top of the fireplace hood to touch the ceiling, calculate the height of the wall support bracket as follows: Lay the fireplace face against the floor. Measure the distance between the top of the fireplace hood and the first (higher) hole of the bracket. Transfer this measurement onto the wall from the ceiling. Center the bracket on the chimney if the chimney is already installed.

**.2 Fireplaces 5005, 7005:** Install the wall support bracket at the height of your choice (usually 15" (380 mm) above the floor). If the chimney is already in place, install the wall bracket at the height required to ensure a fitted connection with the fireplace chimney sleeve. Center the bracket on the chimney if the chimney is already installed.

**5.4 Anchoring the wall support bracket:** The wall support bracket must be firmly anchored to the rear wall because the fireplace rests on it. If you have a wood-framed wall, fix the bracket with long bolts. Use metal expansion nuts and bolts to anchor the bracket against a masonry or concrete wall. In either case, the bolts must have a minimum diameter of 5/16" (8 mm) and penetrate at least 1-1/2" (40 mm) in the solid background. Install at least 4 bolts with 2 bolts located at the top of the bracket. In order to securely anchor the fireplace add more bolts if the site conditions require it.



## 6. Types of installation

**6.1 Chimney outlets:** There are typically three types of chimney outlets.

1. Wall chimney (*Drawing 6*)
2. Regular ceiling chimney (*Drawing 7*)
3. Cathedral ceiling chimney (*Drawing 8*)

## 7. Chimney - Wall Outlet

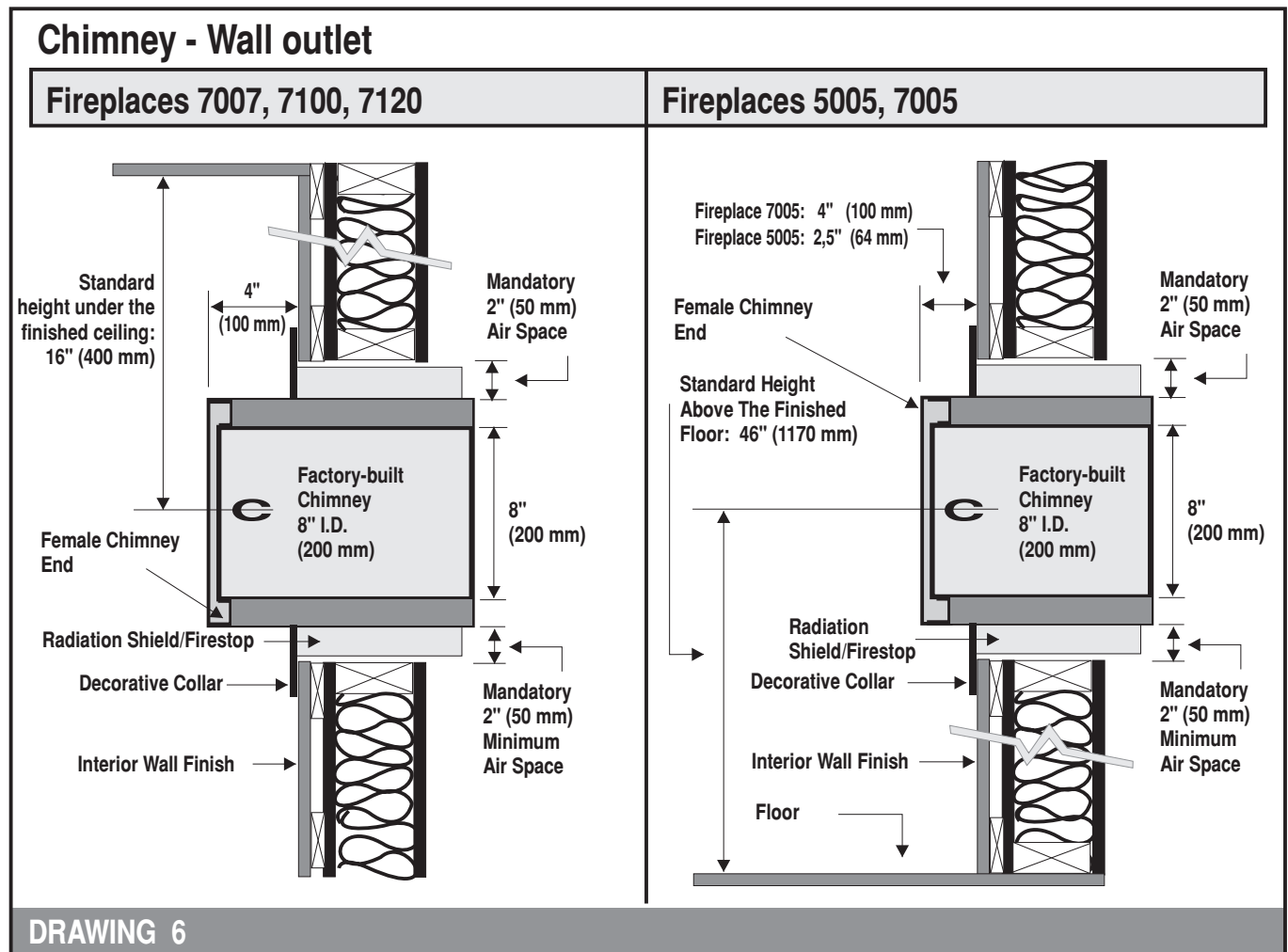
**7.1 Height of the chimney wall outlet:**

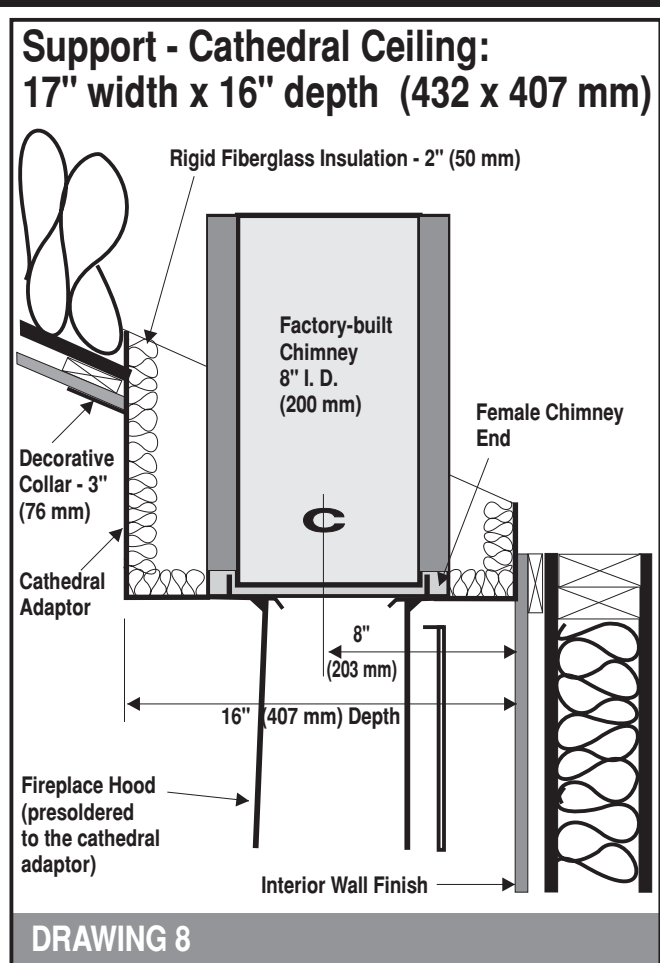
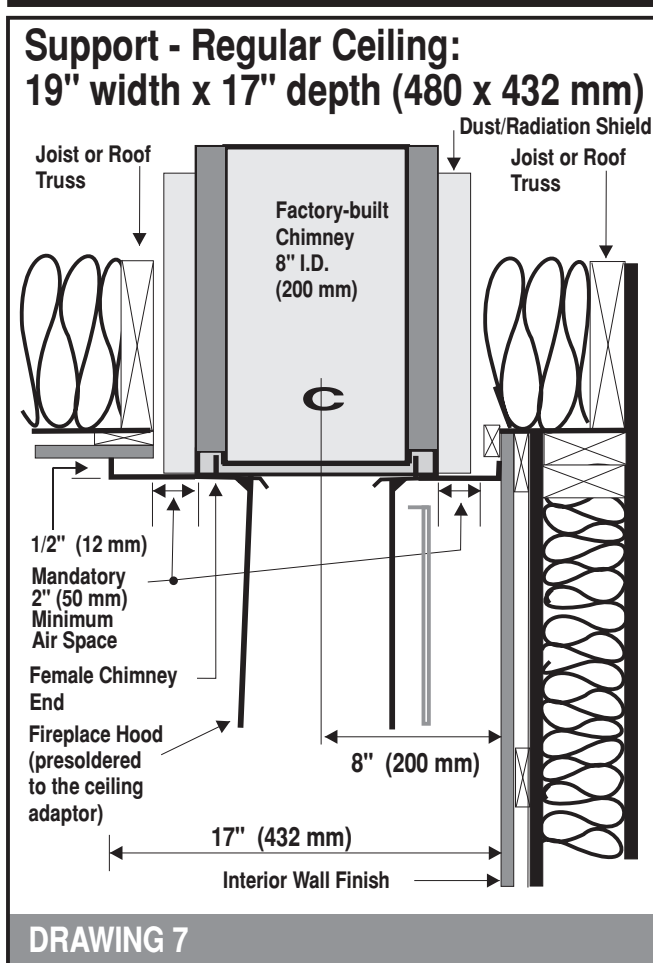
**.1 Fireplaces 7007, 7100, 7120.** In order for the top of the fireplace hood to touch the ceiling, measure the distance between the top

of the fireplace hood and the center of fireplace chimney sleeve and transfer this measurement onto the wall. Usually, the distance between the ceiling and the center of the fireplace chimney sleeve is 16" (400 mm) (*Drawing 6*).

**.2 Fireplaces 5005 and 7005:** The fireplace can be placed at any height but the center of the fireplace chimney sleeve is usually located at 46" (1170 mm) above the finished floor. (*Drawing 6*).

**7.2 Alignment of the wall support bracket:** Before drilling a hole into the wall, verify that the chimney is centered on the wall support bracket.





### 7.3 Diameter of the hole for the chimney passage:

**.1 Combustible wall:** If your wall is made out of combustible materials (gypsum board, wood, insulation, etc), drill a hole at least 4" (100 mm) more in diameter than the chimney's exterior diameter to permit the passage of the chimney plus its mandatory 2" (50 mm) minimum air space. A radiation shield/firestop must also be installed around the chimney where the chimney passes through the wall. A decorative collar is available to conceal the empty space around the chimney.

**.2 Incombustible wall :** If you are working with a 100% incombustible wall (like a concrete foundation wall without a combustible finish), drill a hole of a diameter sufficient to allow for the passage of the

chimney. Gypsum boards are considered combustible materials and any wall that contains them is considered a combustible wall. (See the previous article).

## 8. Chimney - Regular Ceiling

**8.1 Regular ceiling adaptor (Drawing 7):** The regular ceiling adaptor is 19" (480 mm) wide by 17" (432 mm) deep. Locate the center of the chimney at a distance of 8" (200 mm) from the wall. The diameter of the hole for the chimney must be sufficient to include the mandatory 2" (50 mm) minimum air space. Make sure that the hole does not extend beyond the dimensions of the ceiling adaptor. If the chimney must be installed before the fireplace, it must project 1/2" (12 mm) below the finished ceiling. The ceiling adaptor has 4 holes for its fixation against the ceiling. Plan the wood supports required for its

fixation. The ceiling adaptor is not designed to support the weight of the chimney.

**8.2 Radiation shield/firestop:** Install a radiation shield/firestop around the chimney where it passes through the ceiling. Insulation material must not come in contact with the chimney.

## 9. Chimney - Cathedral Ceiling

**9.1 Cathedral ceiling adaptor (Drawing 8):** The cathedral ceiling adaptor is 17" (432 mm) wide by 16" (407 mm) deep. You will need to pierce an opening in the ceiling of the same dimensions measured from the wall. Anchor the cathedral adaptor with screws on the inside of the cathedral adaptor box. Fix the screws on the adjacent wall and on wood support pieces installed for that purpose in the ceiling. The cathedral adaptor is not designed to support the weight of the chimney.

**9.2 Decorative collar:** Three 3" wide (75 mm) finishing strips of adjustable length are supplied with the fireplace to provide a finishing touch and conceal the joint between the ceiling and the cathedral adaptor.

**9.3 Rigid fiberglass insulation:** Install the rigid insulation pads that are supplied with the fireplace inside the cathedral adaptor. Do not completely fill the cathedral adaptor with the insulation. There must always be at least 2" (50 mm) free for air space between the insulation and the chimney.

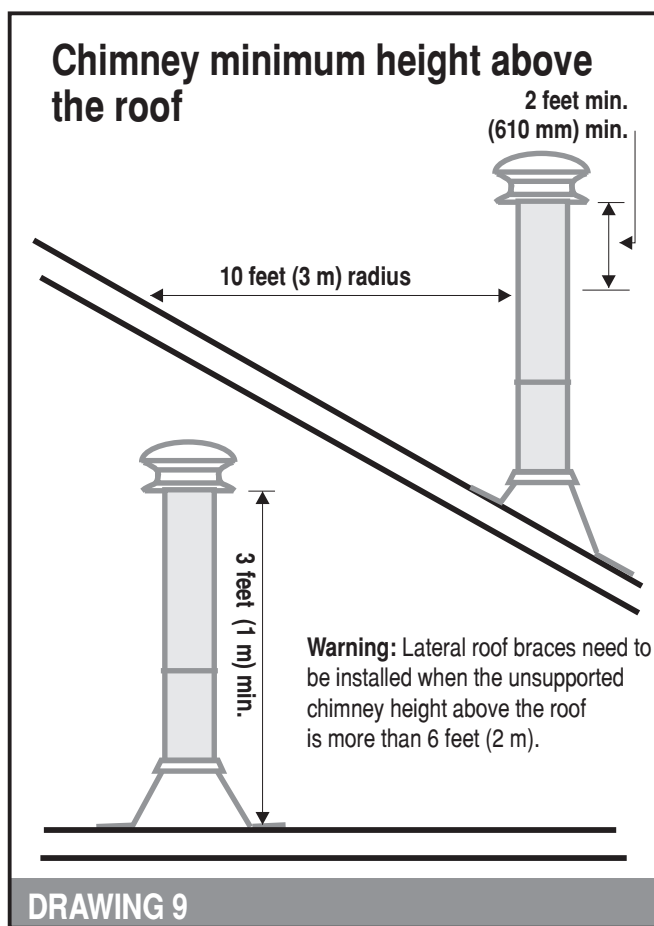
## 10. Factory-built chimney installation

**10.1 Listed parts:** For the installation of the chimney, use only ULC or UL listed parts supplied by the chimney manufacturer.

**10.2 Manufacturer's instructions:** The installation must follow the instructions in this manual and the chimney manufacturer's instructions. If there is a conflict, you must follow the more restrictive measures.

**10.3 Obstructions:** If a joist obstructs the path of the chimney and the mandatory 2" (50 mm) minimum clearance, the joist should be moved or cut. In either cases, the structure must be reinforced to maintain its solidity. Seek engineering help if you are not absolutely certain of what you are doing. If electrical cables or plastic plumbing pipes are in the way, a specialized contractor should remove them..

**10.4 Maximum allowed offsets:** Don't install more than 4 elbows in the chimney. Offset cannot be more than 45 degrees from the vertical axis. The sum of all offsets (elbows) must never



exceed 120 degrees. For example, maximum allowed offsets would include: Four 30-degree elbows ( $4 \times 30 = 120$ ) or two 45-degree elbows plus two 15-degree elbows ( $2 \times 45 + 2 \times 15 = 120$ ).

**10.5 Chimney weight:** The chimney must be supported at regular intervals according to the

instructions of the chimney manufacturer. Its weight must never rest on the fireplace or on the ceiling adaptor. Offset supports must be installed above and as close as possible to each offset (elbow) in the chimney.

#### 10.6 Starting a chimney on a ceiling adaptor:

Install the chimney by slipping the first chimney section until it reaches the bottom of the ceiling adaptor. Be sure the chimney fits well into the ceiling adaptor before proceeding to other chimney sections. Never let the attic insulation come in contact with the chimney. Always allow a 2" (50 mm) minimum air space between the chimney and adjacent materials.

**10.7 Radiation shield/firestop:** Install a radiation shield/firestop every time the chimney passes through a combustible wall or ceiling.

**10.8 Minimum chimney height above the roof (Drawing no 9):** Extend the chimney at least 3 feet (1 m) above the roof or 2 feet (610 mm) above any construction element within 10 feet (3 m) of the chimney.

**10.9 Flashing water tightness:** Install a metal roof flashing with a storm collar where the chimney meets the roof. Seal the joint between the chimney and the storm collar and the joint between the roofing and the flashing.

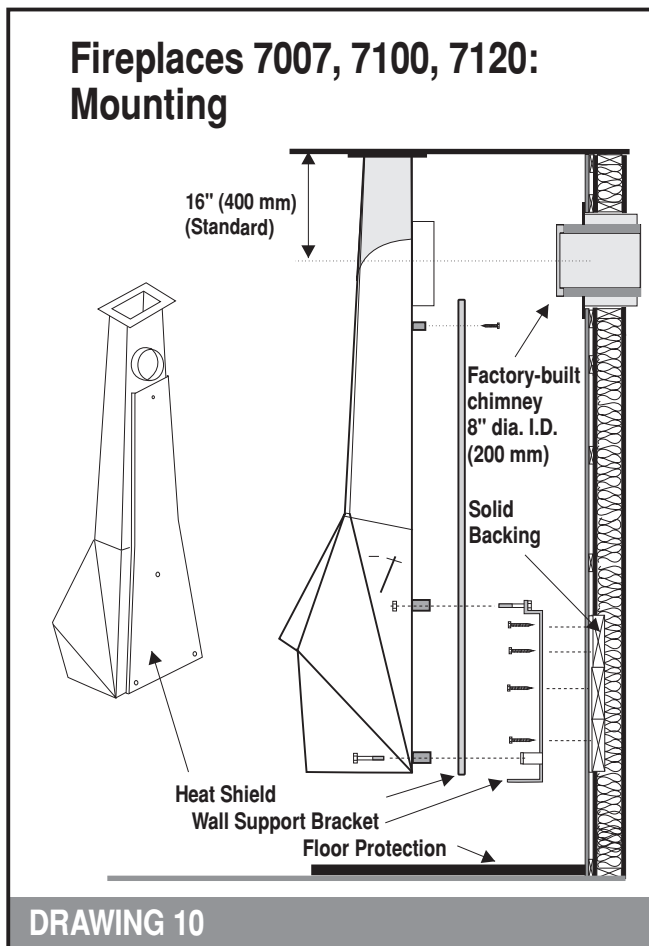
**10.10 Roof braces:** Any chimney that extends more than 6 feet (2 m) above the roof needs to be laterally strengthened with a pair of telescopic roof braces.

**10.11 Chimney top:** Install a chimney round top at the end of the chimney.

## 11. Fireplace installation

**11.1 Heat shield:** Before installing the fireplace on its wall support bracket, mount the heat shield on the back of the fireplace (if it has not already been installed by the manufacturer). Begin the installation by fixing the bolt at the top of the

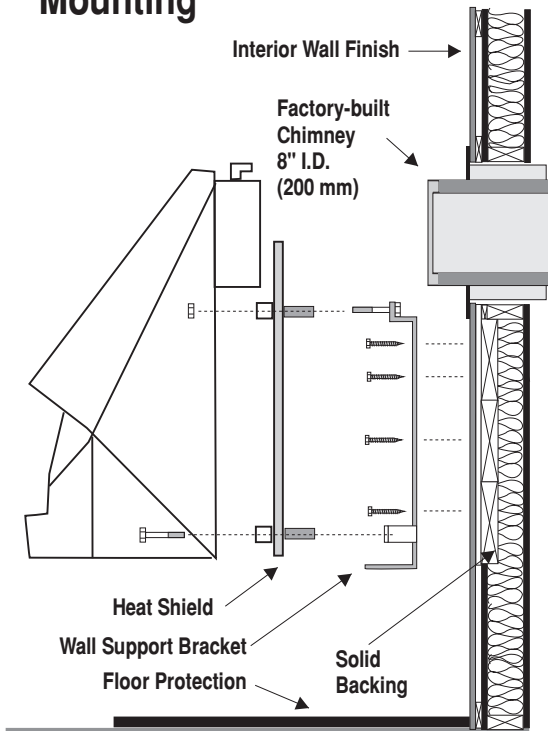
shield. The heat shield will be retained automatically by the fireplace bolts on the bottom.



**11.2 Preliminary insertion of the hearth plate bolt: (Fireplace 7100 only):** Before you install the back heat shield of the 7100 fireplace, insert the bolt that will retain the inside steel hearth plate. It goes in the existing hole at the back of the fireplace. (Drawing 13).

**11.3 Fireplace mounting:** Install the fireplace on the wall support bracket with the three supplied bolts. First, insert the upper bolt into the wall bracket then put the fireplace in place. Tighten the nuts and bolts firmly but without forcing from the inside of the fireplace. If necessary, use a jack to raise the fireplace and keep it in place during the bolting.

## Fireplaces 5005, 7005: Mounting



**DRAWING 11**

**11.4 Joint between the fireplace and the chimney:** Be sure that the chimney fits well into the fireplace's rear coupling sleeve.

## 12. Floor protection installation

**12.1 Floor protection:** When a fireplace is installed directly on a combustible floor, an incombustible protection must be placed underneath and extend around the fireplace (this includes under the pedestal of the 7100 Fireplace). This protects the floor against the accidental fall of embers. In order to achieve this, goal, all joints of the floor protection must be perfectly adjusted or filled with grout. The floor protection must extend at least 18" (460 mm) in front of the fireplace opening and 8" (200 mm) on each side. The floor protection may consist of:

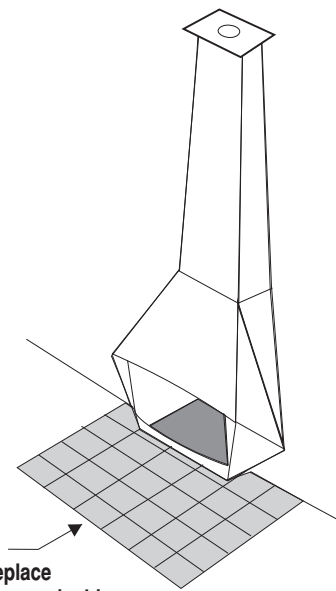
- a) Slabs or tiles of stone (marble, granite, slate, etc.) or ceramic at least 3/8" (8 mm) thickness, secured in place;
- b) Bricks of concrete or terra-cotta, secured in place;
- c) For a temporary floor protection, a sheet of metal of at least 0.015" (0,38 mm) thickness or an incombustible composite cement board of at least 3/8" (10 mm) thickness may be used.

**12.2 Removing the existing resilient flooring:** Before beginning the installation of the floor protection, remove any existing resilient flooring (linoleum, carpet, etc.) in order to reach the wood or concrete sub-flooring. The pedestal of the 7100 Fireplace must not rest on resilient flooring.

### Incombustible floor protection (to protect from the accidental fall of embers)

**IMPORTANT:**  
Floor protection dimensions vary for each fireplace model. Consult the chart specific to your fireplace:

- 5005: Page 16
- 7005: Page 17
- 7007: Page 18
- 7100: Page 19
- 7120: Page 20



**DRAWING NO 12**

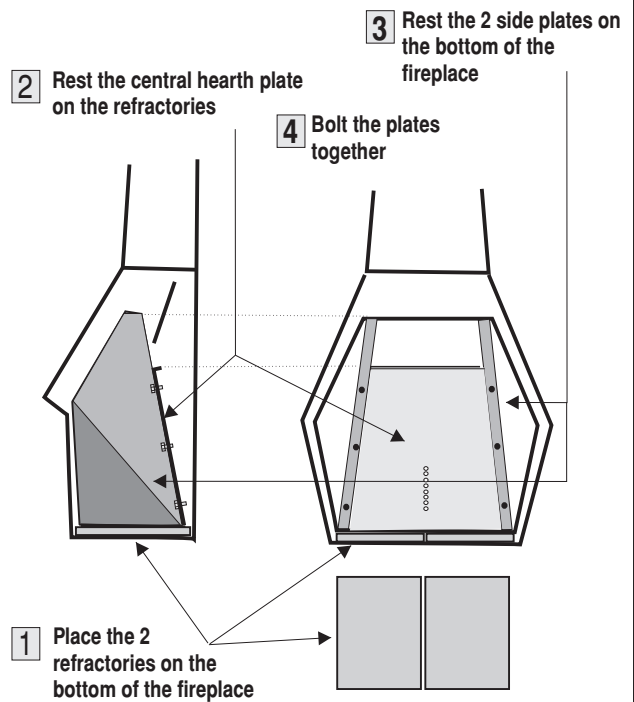
**12.3 Protection under the pedestal :** The floor protection must extend under the fireplace including the pedestal of the 7100 fireplace.

### 13. Fireplaces 5005, 7005, 7007,7120: Refractories and hearth plates

**13.1 Refractories installation:** Install the two refractories tiles by simply laying them on the fireplace bottom. (*Drawing 13*). No fastening is required.

**13.2 Mounting of the two lateral and the central steel hearth plates:** The two lateral deflectors need to be bolted together with the central hearth plate. Begin by installing the central hearth plate, which must rest on the refractories tiles. Next, install the right and the left hearth plates on each side of the central plate.

### Fireplaces 5005, 7005, 7007, 7120: Refractories and hearth plate

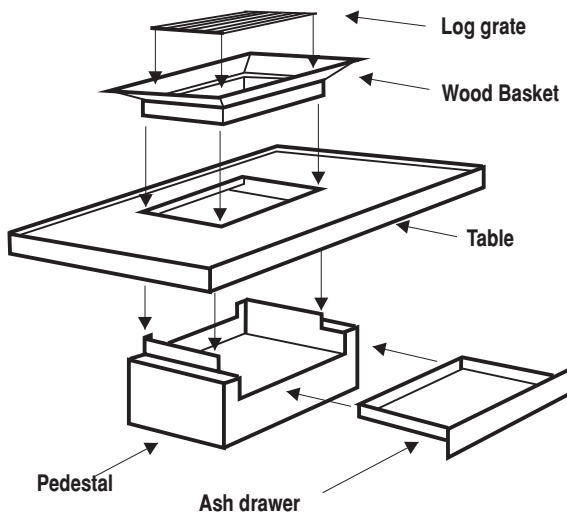


**DRAWING 13**

These hearth plates rest on the fireplace bottom. Bolt them together with the supplied bolts. Don't tighten the bolts too much; you'll need to allow for expansion.

### 14. Fireplace 7100: pedestal and hearth plate mounting

#### Fireplace 7100: Pedestal mounting



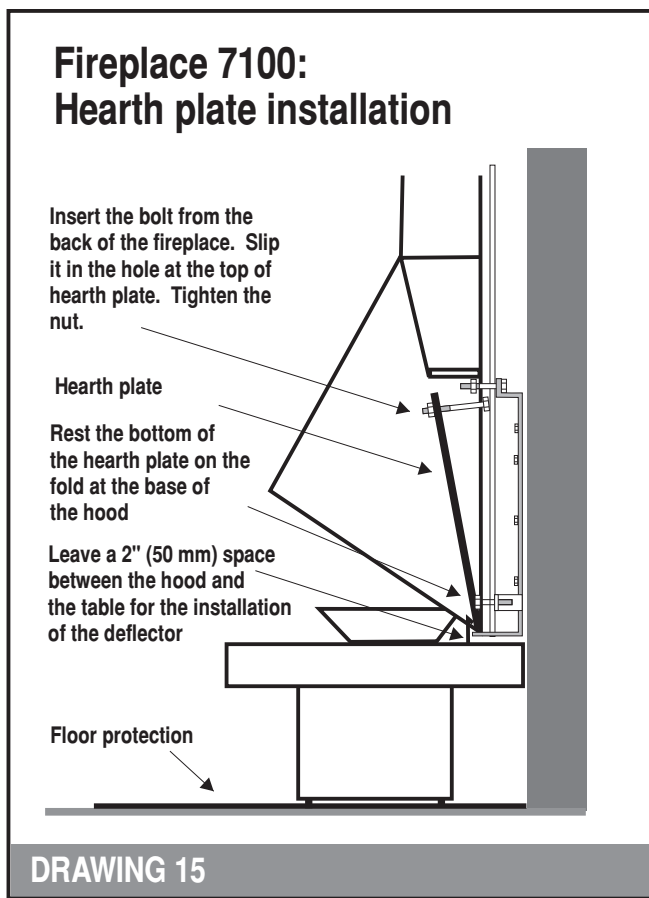
**DRAWING 14**

**14.1 Fireplace 7100 - Pedestal mounting:** Mount the fireplace pedestal as shown (*Drawing 14*). Center the fireplace pedestal under the hood. Complete the installation by putting the table, the wood basket and the log grate as illustrated. These parts are simply placed with no particular fastening. Finish the installation by slipping the ash drawer into its slot on the pedestal. Leave a space of about 2" (50 mm) between the top of the table and the bottom of the hood. (*Drawing 15*). Adjust both the height and level of the table with the 4 levelling bolts located under the pedestal.

## 14.2 Fireplace 7100 - Hearth plate installation:

Install the hearth plate by putting it down, as shown, on the fold located at the bottom of the hood (*Drawing 15*). To retain the hearth plate, the fixing bolt must already have been inserted into the hole at the back of the fireplace prior to its installation. Fix the hearth plate in place, at the required angle, by tightening the nut of the retaining bolt.

**14.3 Installation of the optional decorative finish on the 7100 table:** The 7100 fireplace table comes with an integrated border that allows the flush fitting of a decorative covering



consisting of stone or ceramic tiles (marble, granite, slate, etc.) Do not cement in place the decorative finish or fill up the joints with grout because you will need to allow for expansion; this will also facilitate their replacement if needed. If necessary, fix the tiles slightly with a few drops of silicone.

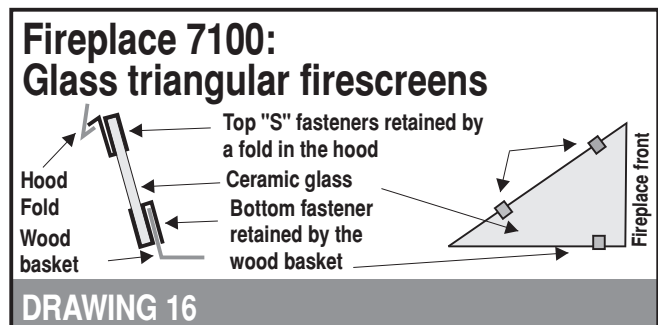
## 15. Firescreen installation

**15.1 Fireplaces 5005, 7005, 7007, 7120:** The firescreen supplied with the fireplace is simply put in place in the front of the hearth. To install it, tilt it slightly to slide it in position. It will be retained on each side by the "U" hooks.

**15.2 Fireplace 7100:** This firescreen comes in three parts: a detachable firescreen for the front and two small triangular firescreens for the sides.

**.1 The front firescreen** is suspended under the hood retained by a fastener and a fold in the hood.

**.2 The side triangular firescreens** (of ceramic glass or metal screen) are retained by the hood and the edge of the wood basket. The ceramic glass firescreen is retained by an "S" fastener at the bottom of the glass and two others on the upper side of the glass (*Drawing no 16*). The bottom "S" fastener is clipped on the edge of the wood basket. Those of the top are retained by a fold inside the hood. Contrary to the ceramic glass firescreen, the "S" fasteners of the metal firescreen are already soldered in the place on the firescreen frame. Small black metallic triangles are also available to be installed over the lateral triangular firescreens for those who want to limit ash dispersal on the sides.



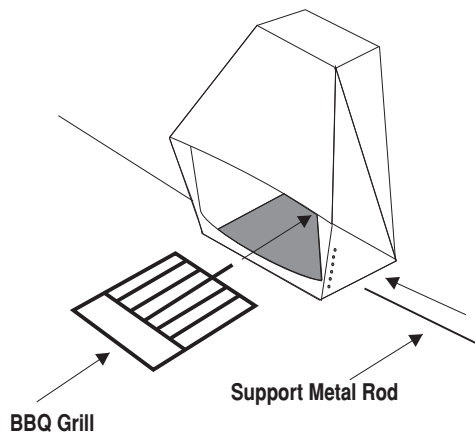
## 16. BBQ grill installation

**16.1 Fireplaces 5005, 7005, 7007, 7120:** Insert the metal rod supplied with the BBQ into the holes pierced for this purpose, on both sides of the fireplace, at front (**Drawing 17**).

**16.2 Fireplace 7100:** In order to support the grill, fix on each side of the wood basket, in front, the two supports supplied for this purpose. These supports are pre-drilled for the installation of the transverse metal rod that will maintain the BBQ grill at the desired height.

**16.3 BBQ grill installation:** The BBQ grill is set in place by simply inserting the central long rod into one of the holes provided on the hearth plate at the back of the fireplace.

### Fireplaces 5005, 7005, 7007, 7120: BBQ grill mounting



DRAWING 17

## 17. Outside air intake installation

**17.1 IMPORTANT:** If the building is too airtight or if a negative pressure inside the building is susceptible to harming the chimney draft, the optional outside air intake (**Drawing 18**) must be installed to ensure the fireplace works

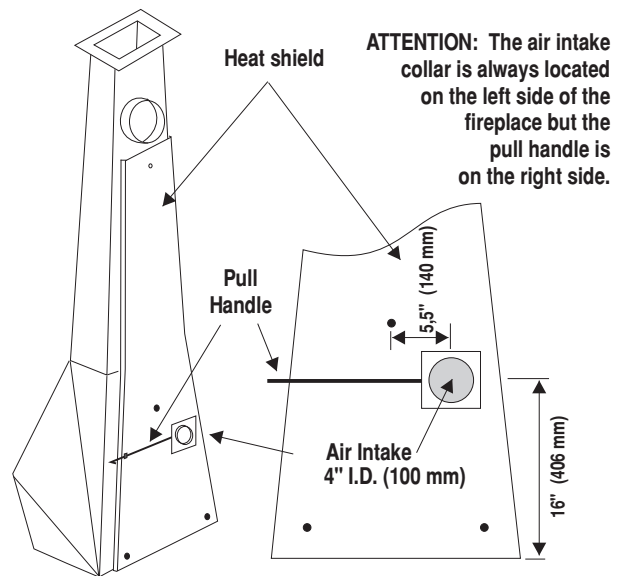
properly. Never install an outside air intake into a garage, a non-ventilated or mechanically ventilated attic or other inside room.

**17.2 Dust type and diameter:** Use a 4" (100 mm) I.D. aluminum flexible duct covered by a fiberglass insulating jacket with an integrated aluminum vapor barrier. The duct must be fixed on the air intake collar at the back of the fireplace with screws and an adhesive aluminum tape. Always extend the duct up to the outside of the building.

**17.3 Sealing the vapor barrier:** Following the piercing of the exterior wall for the passage of the air intake duct, seal the flexible duct vapor barrier jacket against the exterior wall vapor barrier. This will prevent ice built up inside the wall. Use an adhesive aluminum tape.

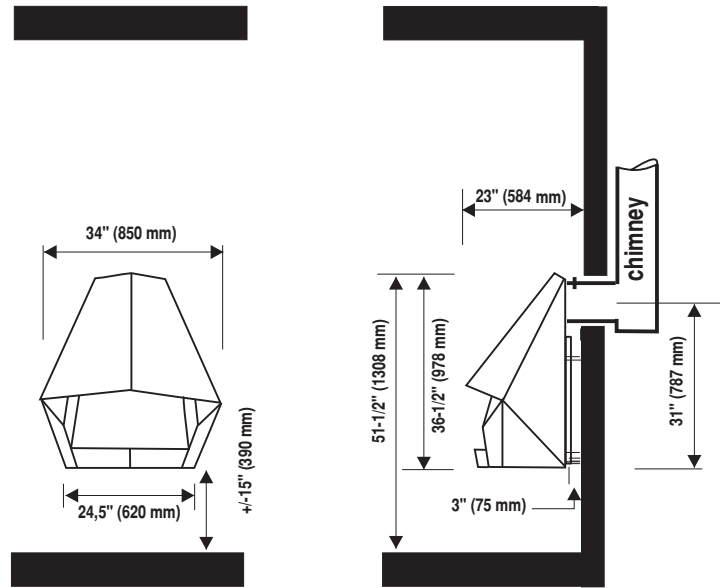
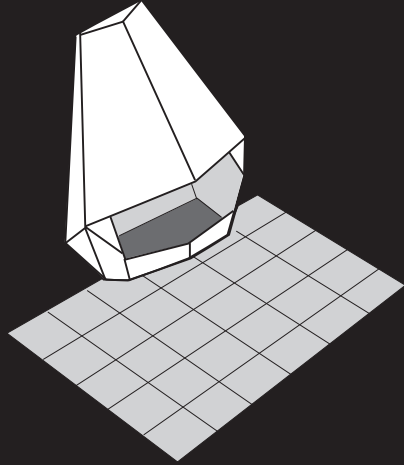
**17.4 Outside hood:** Complete the installation by connecting the duct to the hood assembly. Fix the hood on the wall and seal the joint with silicone. The hood should be fitted with a screen.

### Outside air intake (optional)

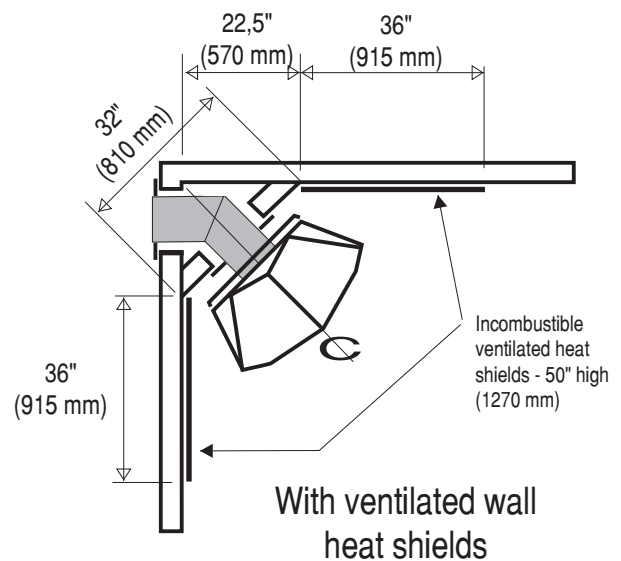
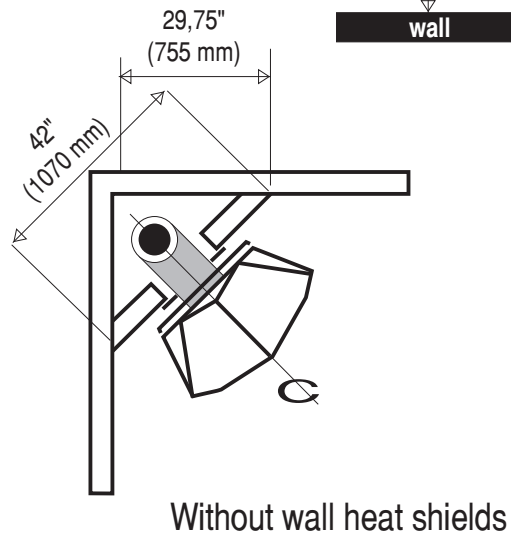
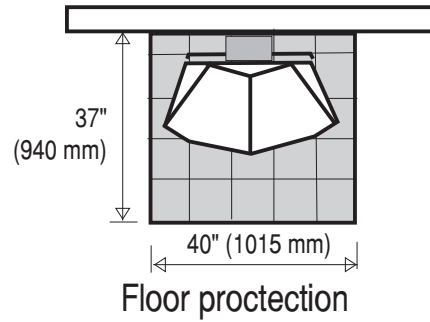
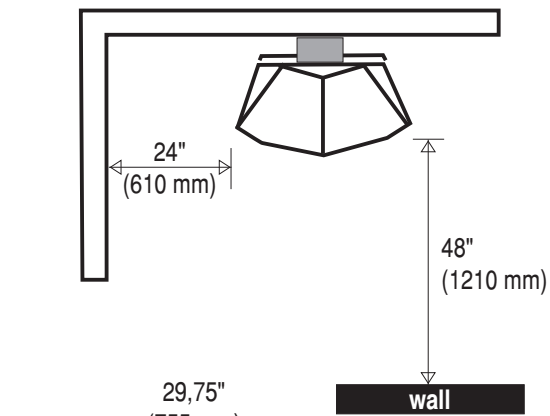


DRAWING 18

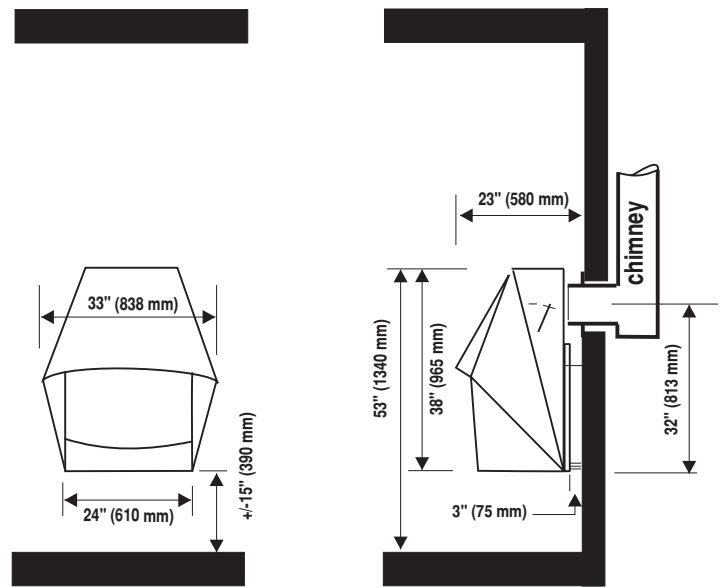
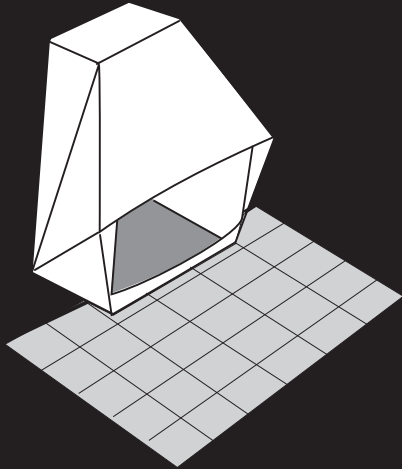
**5005**



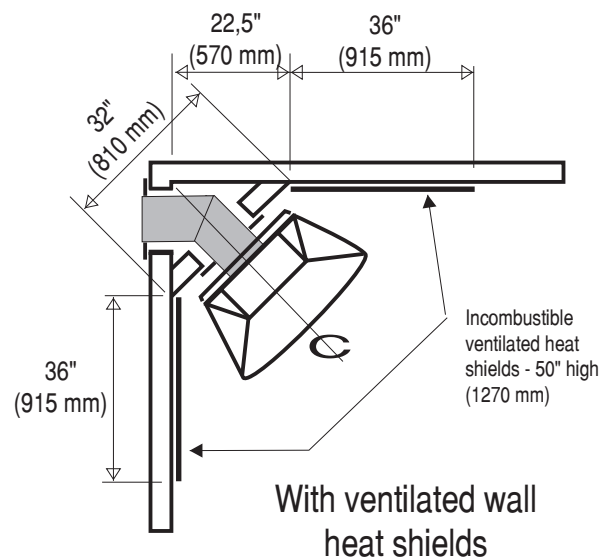
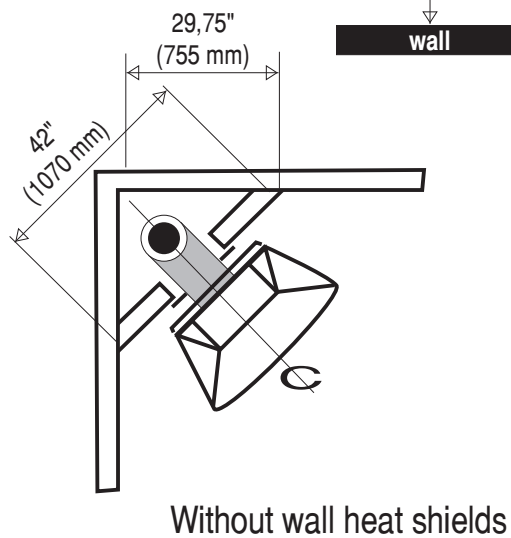
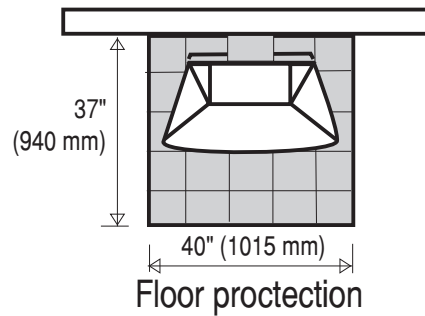
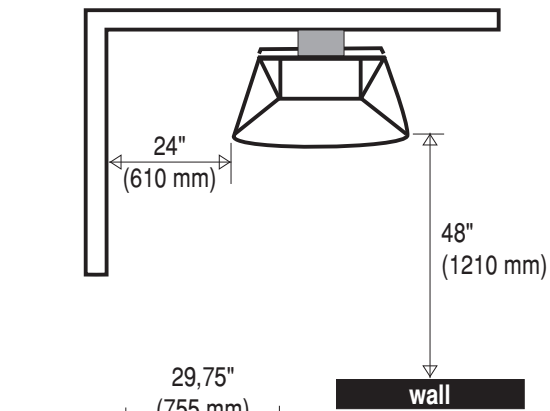
**REQUIRED CLEARANCES**

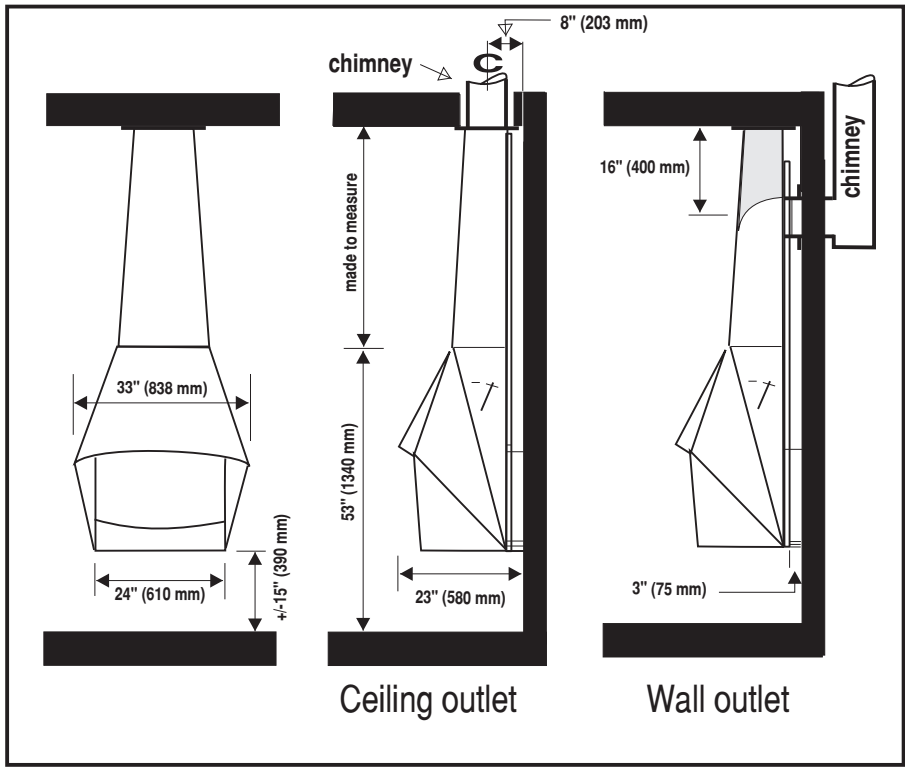
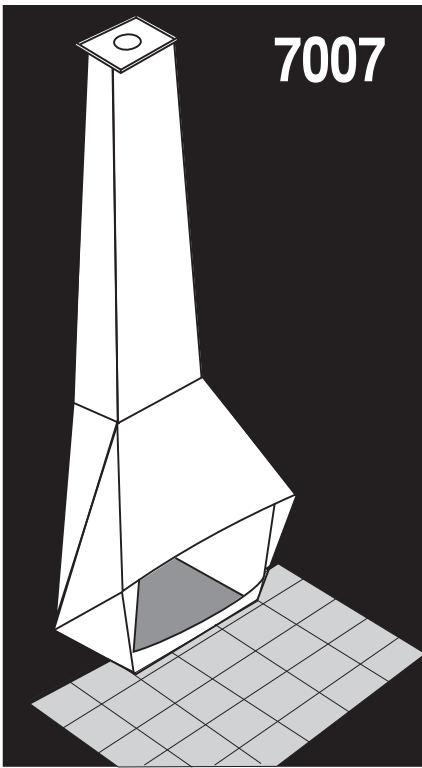


7005

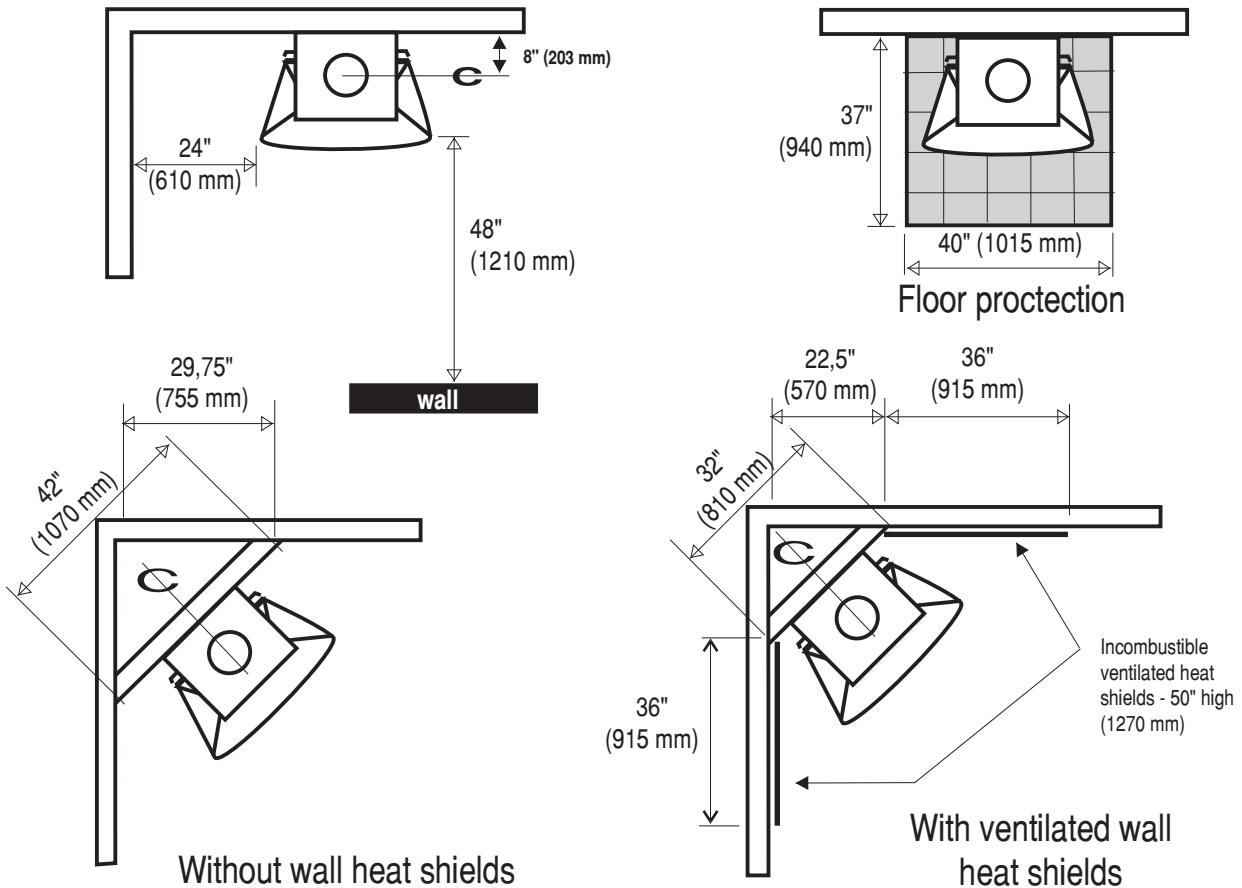


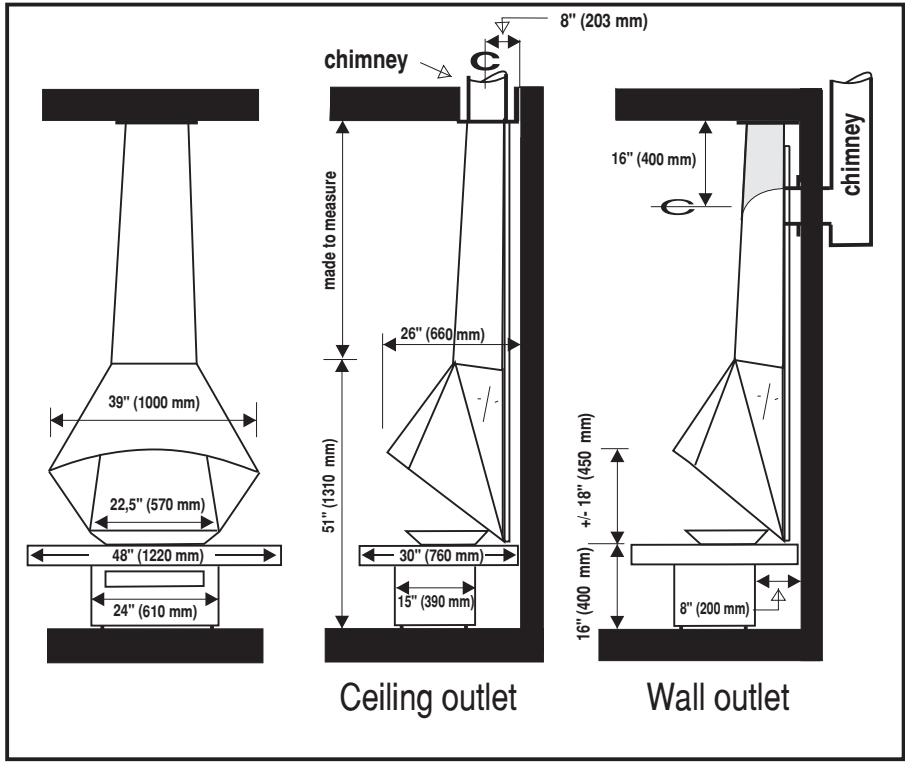
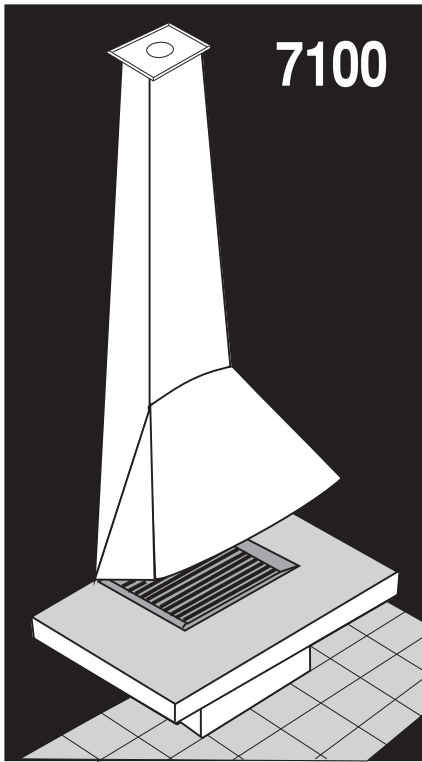
**REQUIRED CLEARANCES**



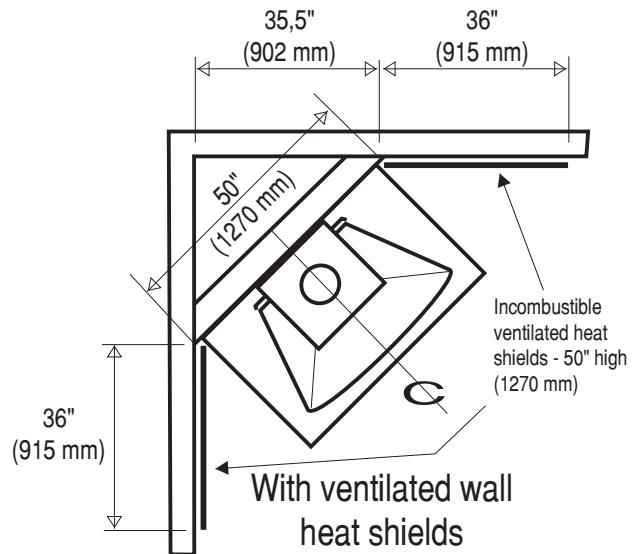
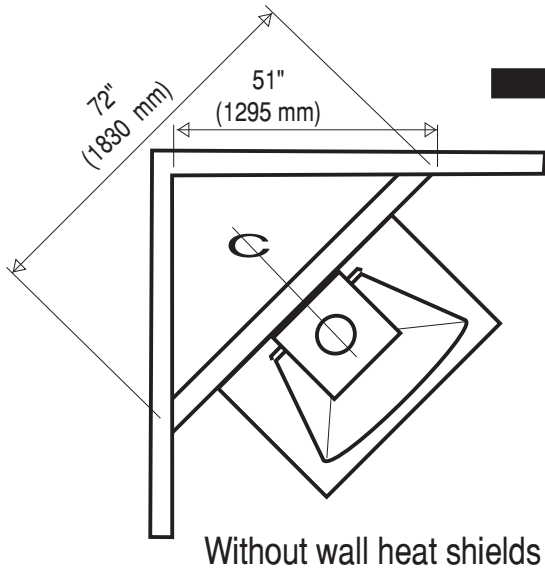
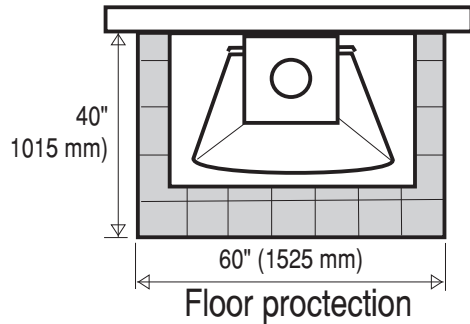
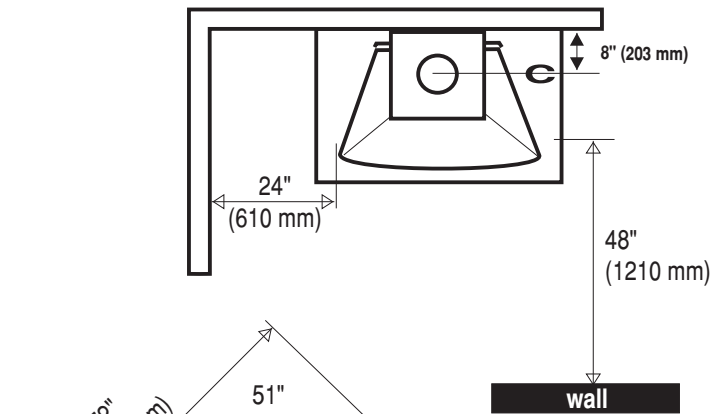


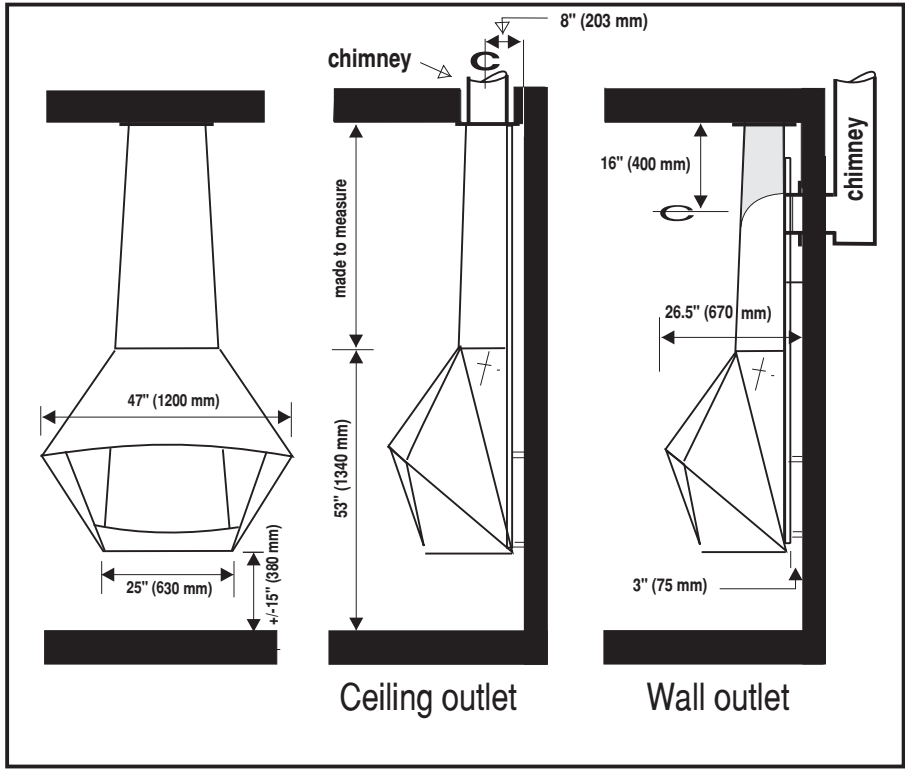
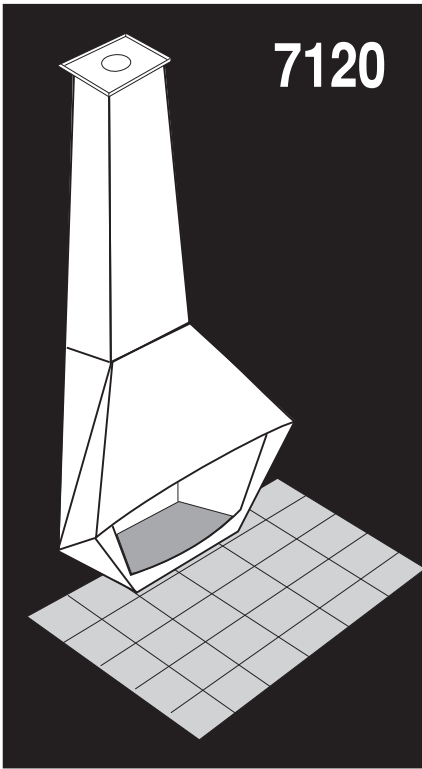
**REQUIRED CLEARANCES**



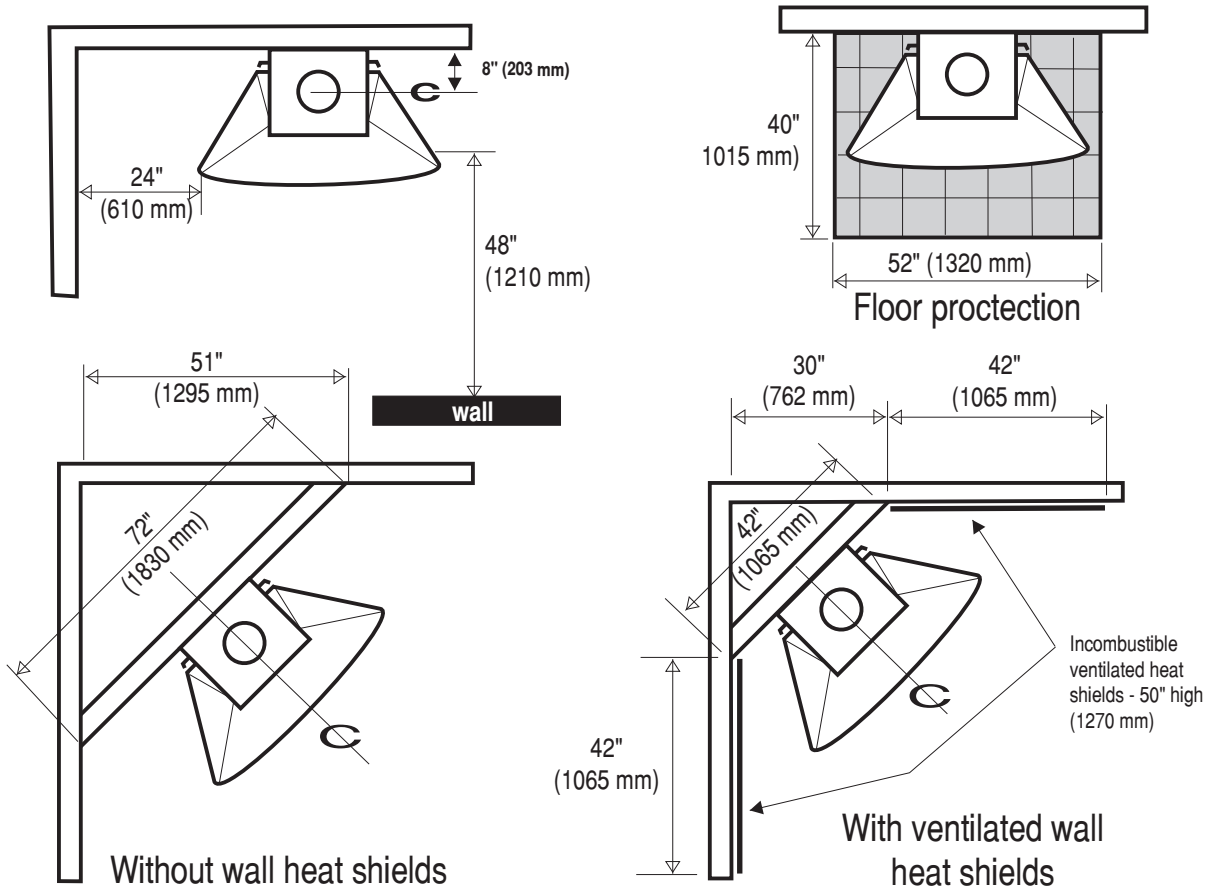


**REQUIRED CLEARANCES**





**REQUIRED CLEARANCES**



**1. Precautions before lighting your first fire**

- 1.1 Adequate air supply
- 1.2 Preventing smoke returns

**2. Firewood**

- 2.1 Allowed fuels
- 2.2 Forbidden fuels
- 2.3 Recommended wood species
- 2.4 Green wood

**3. The fire**

- 3.1 Opening the chimney flue damper
- 3.2 Adjusting the chimney flue damper
- 3.3 How to start a fire
- 3.4 Firescreen is mandatory
- 3.5 Preventing overfiring
- 3.6 Forbidden flammable liquids
- 3.7 Smoke release during the first fire
- 3.8 Caution: Very hot!
- 3.9 Gloves and poker
- 3.10 Energy savings

**4. Ashes**

- 4.1 Metallic container
- 4.2 Natural fertilizer

**5. Fireplace maintenance**

- 5.1 Finish maintenance
- 5.2 Repainting
- 5.3 Outside air intake
- 5.4 Fireplace storing

**6. Glass firescreen maintenance (Fireplace 7100 only)**

- 6.1 Glass maintenance
- 6.2 Replacing a broken glass pane

**7. Chimney maintenance**

- 7.1 Creosote build up and removing
- 7.2 Inspection and regular maintenance
- 7.3 Soot build up removal

**8. Humidity and condensation**

- 8.1 Excessive humidity and condensation

# PART 2: OPERATION AND MAINTENANCE

## 1. Precautions before lighting your first fire

**1.1 Adequate air supply:** A wood fire requires plenty of air. Always be sure there is enough air supply to maintain the combustion. If the room is under a negative pressure, if the house is too airtight, or if a ventilation device is in operation it may be necessary to open a door or a window to compensate.

**1.2 Preventing smoke returns:** Your fireplace is designed to operate without smoke returns during normal operating conditions and when installed according to the instructions outlined in the manual. However, some conditions out of our control can create smoke returns. Don-Bar Fireplaces cannot guarantee the absence of smoke returns but if this phenomenon occurs special attention should be given to the following situations: mechanical ventilators in operation (kitchen hood, dryer, air heating system, air exchanger), drafts, room or house negative pressure, inadequate chimney height, exterior structures harmful to the chimney draft or capable of causing smoke returns, an indoor moisture level that is too high and causes ice build-up in the flue and reduces chimney draft, too many elbows in the chimney, crushed outside air intake duct, strong winds, etc.

## 2. Firewood

**2.1 Allowed fuels:** Your fireplace is designed to burn wood and charcoal only. To start a fire, use only newspaper and small pieces of firewood.

**2.2 Forbidden fuels:** Anthracite, melamine, pressure treated or painted wood, wood particle boards and other composite materials. These materials reach very high temperatures and release corrosive gases, which may irreparably

damage your installation and void the warranty.

**2.3 Recommended wood species:** For an efficient and economical operation, use only dry hardwood such as maple, oak, wild cherry, birch, etc. The use of dry hardwood reduces creosote formation. Avoid softwoods, coniferous and green woods. These produce a lot of creosote.

**2.4 Green wood:** If your firewood is too green, place it in a well ventilated space, sheltered from rain, as long as necessary to allow it to dry. Dry wood is easy to identify: it is cracked at the ends and much lighter because it contains less water.

**Damage hazards  
(Fireplaces 7007, 7100, 7120)**



**Never pull the damper handle in that direction**

This could reduce the tension that retains the damper at the desired position. It is possible to restore the damper original tension by using a sledgehammer and a wood block. Just strike upward from under the lower part of the handle.

**DRAWING NO 19**

---

## 3. The fire

**3.1 Opening the chimney flue damper (and the outside air intake, if installed):** Before lighting a fire, completely open the chimney damper and, if installed, the outside air intake control valve.

**1. Fireplaces 7005, 7007, 7100, 7120:** The chimney flue damper is located on the right side of the fireplace. To open it, push the handle toward the rear of the fireplace. **Never pull the handle perpendicular to the fireplace (*Drawing 19*) because this could reduce the tension that keeps the damper in place. The hotter your fireplace, the easier it is to move the handle. It is only at the beginning of a fire that more pressure is necessary.**

**2. Fireplace 5005:** The damper is located on the chimney sleeve at the back of the fireplace. To open it, just turn the handle.

**3.2 Adjusting the chimney flue damper:** At the beginning, the damper must be completely open. Later, following the formation of embers, the flame will be less intense, the chimney flue warmer and you will be able to close the damper gradually. **Never completely close the damper when embers are burning in the hearth because the damper is 100% airtight when closed and this will cause smoke returns.**

**3.3 How to start a fire:** To light a good fire, begin by placing 4 or 5 newspaper balls in the fireplace. Next, place 5 to 8 small pieces of dry firewood over the newspaper. Then add 2 or 3 small-sized logs. Light the newspaper in 4 or 5 spots. When the small firewood begins to burn, add 1 or 2 medium-sized logs.

**3.4 Firescreen is mandatory:** In order to prevent dangerous spark discharges and falling embers, always use a firescreen when a fire is going. To install it, just tilt it 45 degrees and a hook on each side will keep it in place.

**3.5 Preventing overfiring:** Don't overload your

fireplace. Instead, feed it regularly. Don't make fast and hot fires (such as those using only paper, cardboard or small wood). These fires can generate very high temperatures that may damage your chimney if they last longer than 2 minutes.

**3.6 Forbidden flammable liquids:** Never use flammable liquids or accelerators such as gas, lamp oil, kerosene, BBQ starters, or other flammable substances to start or stir up a fire. Always keep these products away from the fire when using the fireplace.

**3.7 Smoke release during the first fire:** It is possible that, while making your first fire, the fireplace releases smoke for about 20 minutes. This smoke release is normal and is usually caused by the "baking" of the fireplace paint finish. Open a window and the smoke will disappear by itself in a few minutes. **Caution:** This smoke can trigger a smoke detector causing a false alarm!

**3.8 Caution: Very hot!** Your fireplace can become very hot. Be careful when coming close to it. Keep clothes, furniture, drapes, pets and young children away from the fireplace.

**3.9 Gloves and poker:** In order to operate the fireplace safely, always keep a poker on hand. Heat resistant gloves are also recommended and can be very useful when you have to handle hot parts during an emergency.

**3.10 Energy savings:** When the fireplace is not in use, it is preferable to close the chimney flue damper completely to avoid air infiltrations into the house. Be sure, however, that the fire is completely extinguished and that the embers are completely cold.

## 4. Ashes

**4.1 Ashes removal:** Your fireplace must be emptied regularly.

**1. Fireplaces 5005, 7005, 7007, 7120:** Always keep a bed of ashes of about 1" (25

---

mm) in the fireplace to protect the hearth bottom. **A log grate is not necessary.**

**2. Fireplace 7100:** The fireplace has a log grate and an ash drawer. Empty the ash drawer regularly when the fireplace is not in use.

**4.2 Metallic container:** To collect ashes, use a metal container with an airtight lid.. Dispose of them on the ground, outside, away from any combustible material. If you plan to bury ashes or disperse them in the wind, keep them in an airtight container until completely cooled.

**4.3 Natural fertilizer:** Ashes are useful as natural plant fertilizer. They are rich in lime, potash, phosphorus, and ideal for acidic soils.

## 5. Fireplace maintenance

**5.1 Finish maintenance:** Your fireplace is covered and protected by a special high-temperature paint finish. Normal maintenance requires only a simple dusting using a dry and soft duster or a feather duster. Avoid splashing liquids on the fireplace.

**5.2 Repainting:** If, over time, it becomes necessary to freshen up the fireplace finish, you can spray directly on the old finish a coat of "Stove Bright" high temperature stove paint.

**5.3 Outside air intake (if installed):** Periodically clean the screen of the outside air intake to remove blades of grass and other shreds that can block the air passage

**5.4 Fireplace storing:** To prevent rusting, always store the fireplace and its components in a dry space.

## 6. Glass firescreen maintenance (Fireplace 7100 only)

**6.1 Glass maintenance:** To clean the glass firescreen, begin with a duster and, preferably, a

stove glass cleaner. These aerosol glass cleaners are sold by stove and fireplace dealers. They are specially formulated to dissolve creosote without damaging the glass. Then, to get a sparkling surface, finish with a clean duster and a domestic glass cleaner such as Windex. **Warning:** Wait until the glass has completely cooled before attempting to clean it. Never use an abrasive cleaner on the glass.

**6.2 Replacing a glass pane:** If a firescreen glass pane shatter, replaced it with a 5 mm ceramic glass pane of the same dimensions. The ceramic replacement glass can usually be ordered from a local glazier or ordered directly from Don-Bar Fireplaces. (Note: the firescreen glass panes are not warrantied against breaking). **Warning:** **Never replace a broken firescreen glass with an ordinary or tempered glass: it will shatter and may cause serious injuries.**

## 7. Chimney maintenance

**7.1 Creosote build up and removing:** When wood burns slowly, tar and organic vapors are released. These combustion by-products combine with moisture to form creosote. When creosote vapor comes in contact with a relatively cold surface, such as a chimney flue during a slow burning fire, it condensates. As a result, creosote residues build up inside the chimney. When this creosote deposit catches fire, the chimney can reach dangerously high temperatures.

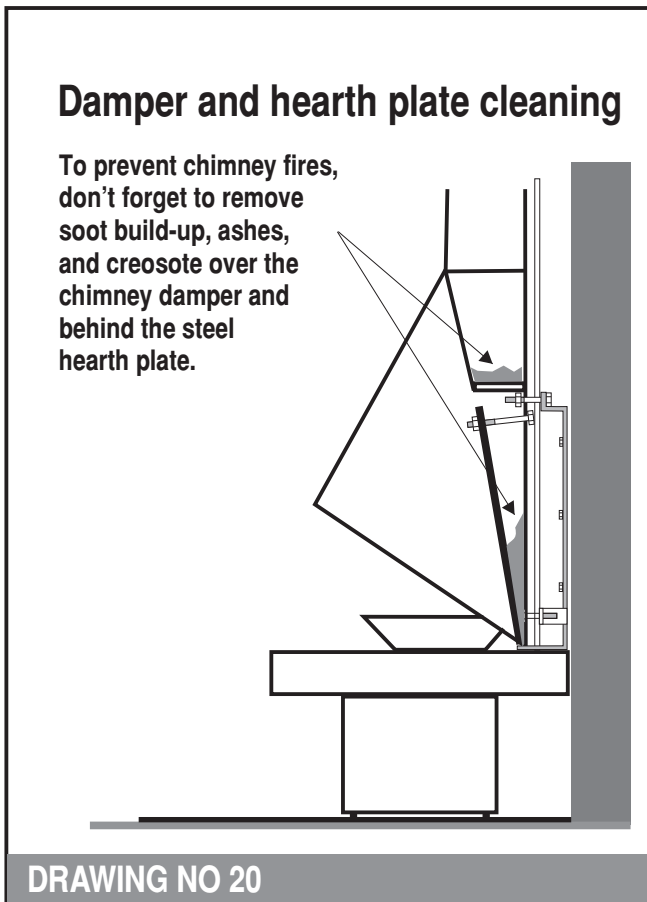
**7.2 Inspection and regular maintenance:** The chimney must be inspected regularly during the heating season in order to determine whether is creosote build-up. In order to avoid chimney fires, the chimney must be cleaned if the creosote build-up reaches a 1/8" (3 mm) thickness.

**7.3 Soot build-up removal:** During the chimney cleaning, be sure to remove any creosote or soot build up located over the flue damper and behind the steel hearth plates inside the fireplace. For this removal, use a commercial vacuum cleaner equipped with a flexible nozzle to reach crannies. (*Drawing 20*).

---

## 8. Humidity and condensation

**8.1 Excessive humidity and condensation:** In winter, high humidity levels inside the house can cause chimney problems such as condensation, and ice build-up eventually dripping into the fireplace. In extreme cases, the condensation water can even infiltrate the chimney insulation. To avoid these problems, it is necessary to maintain an acceptable humidity level inside the house. This relative humidity level is between 30% and 35% during winter. To learn more about the possible techniques to solve a moisture problem you can consult, free of charge, the guide: *Humidity, Condensation and*



*Ventilation in Houses* by the National Research Council of Canada at the following Internet address: [www.nrc.ca/irc/bsi/83\\_E.html](http://www.nrc.ca/irc/bsi/83_E.html)

## PART 3: REPLACEMENT PARTS LIST

To order a part, please specify: The fireplace model number, the name of the part and the year of the fireplace installation	5005	7005	7007	7100	7120
Decorative collar for the cathedral ceiling support	■	■	■	■	■
Decorative collar for a wall chimney outlet	■	■	■	■	■
Regular "T" wall support bracket	■	■	■	■	■
Special narrow wall support bracket	■	■	■	■	■
Special wide wall support bracket	■	■	■	■	■
Upper bolt and nut for fixing the fireplace on the wall support bracket	■	■	■	■	■
Lower bolt for fixing the fireplace on the wall support bracket	■	■	■	■	■
Standard back heat shield	■	■	■	■	■
Back heat shield with shop installed outside air intake	■	■	■	■	■
Outside air intake (only)	■	■	■	■	■
Upper bolt for fixing the back heat shield			■	■	■
Central hearth plate	■	■	■	■	■
Right hearth plate	■	■	■		■
Left hearth plate	■	■	■		■
Bolt to join the 3 hearth plates together	■	■	■		■
Bolt, 7" (180 mm), nut and washer for the central hearth plate				■	
Refractories for the hearth bottom (2)	■	■	■		■
Steel mesh firescreen	■	■	■	■	■
Left triangular ceramic glass firescreen, 5 mm				■	
Right triangular ceramic glass firescreen, 5 mm				■	
Steel "S" fastener for the glass firescreen bottom				■	
Steel "S" fastener for the glass firescreen top				■	
Steel mesh triangular firescreen, left side				■	
Steel mesh triangular firescreen, right side				■	
Opaque triangles for side firescreens				■	
Metal deflector for joining the back of the hood to the table				■	
Chimney flue damper handle	■				
BBQ grill	■	■	■	■	■
Rod for supporting the BBQ grill	■	■	■	■	■
BBQ grill support				■	
Log grate				■	
Wood basket				■	
Table				■	
Pedestal				■	
Levelling bolts for the pedestal				■	
Ash drawer				■	

### **DIRECTIVES IN CASE OF A CHIMNEY FIRE**

1. Immediately alert family members about the potential danger.
2. Watch your chimney and the surroundings to detect any smoke or beginning of fire.
3. In case of doubt, immediately call your local fire department or 911.
4. Evacuate the house.
5. Following a chimney fire, don't reuse your fireplace until a professional has inspected it. A chimney fire can overheat the chimney components, warp it inside, crack or dislocate certain components.
6. After the inspection, replace any part that is damaged or judged unsafe.

## 25 YEAR LIMITED WARRANTY

**1. The first 5 years:** If, during this 5-year period, and in the course of a normal use, a component part of the fireplace becomes defective due to a material or workmanship defect, this part will be replaced or, at our discretion, repaired free of charge. The following parts are excluded from this warranty:

**1.1 Hearth back plate, smoke deflector, grate, ash drawer/tray, wood basket, fireguard, refractories, metal fire screen, BBQ grill, electric fan blower:**

Being subject to high temperatures, these parts may have to be replaced from time to time; this is regarded as normal maintenance. However, all the original parts shipped with the fireplace are warranted against material or workmanship defects for 1 year following the date of purchase.

**1.2 Chimney:** Since the chimney and its components are not manufactured by Don-Bar, please refer to the warranty of the chimney manufacturer for any claim about it.

**1.3 Fireplace paint finish:** The fireplace is painted with a high temperature paint that needs to be freshen up from time to time. However, the original finish applied to the fireplace is warranted for 1 year following the date of purchase. The warranty is limited to the supply of the paint required for repainting the fireplace.

**1.4 Gaskets:** Fireplace gaskets are warranted for 90 days following the date of purchase.

**2. 20-Year Replacement Plan:** After the expiration of the first 5 years, and for

an additional 20 years period following the date of purchase, we will ship (at the exception of transport expenses and parts described in the articles 1.1, 1.2, 1.3 and 1.4) any defective part for a price not exceeding 50% of its retail price.

**3.** These warranties shall never be interpreted as covering workmanship on site. Don-Bar takes no responsibility for damages to the building following the repair or the replacement of any part covered by the warranty.

**4.** No representative, employee or agent of Don-Bar is authorized to change or extend the present warranty.

**5.** The warranty is valid only if the installation, the operation, and the maintenance of the fireplace have been done in accordance with the fireplace manufacturer written instructions.

**6.** Don-Bar takes no responsibility for any damage to the fireplace, the chimney or the building if fireplace repairs done by third parties are executed with non original parts.

**7.** Any part that is the object of a claim in accordance with the present warranty must be returned to the shop (transport prepaid) with a proof of purchase. All returns must be approved by the manufacturer before shipping.

**8.** The duration of the warranty on any part that is the object of a claim must never exceed the total duration of the original warranty of the part shipped with the fireplace.

**9. Draft and smoke returns:** All Don-Bar fireplaces are designed and tested to operate with a positive draft, without smoke returns, when installed according to the manufacturer's instructions.

Smoke returns caused by environmental factors (negative pressure, lack of air, turbulence, etc.) are not covered by the present warranty.

**10. The warranty does not cover:**

- 10.1 Brokenglass
- 10.2 Damages caused by a chimney fire;
- 10.3 Shipping damages not reported on delivery;
- 10.4 Faulty installation;
- 10.5 Damages caused by abnormal or abusive use.

**11.** Send any communication or claim to the following address:

**Foyers Don-Bar Fireplaces, inc.**

741, St-Vallier Ouest, Québec,  
(Quebec) Canada G6V 3N9  
Phone: 418-686-9114  
Fax: 418-686-9117  
Website: [www.don-bar.com](http://www.don-bar.com)  
Email: [don-bar@don-bar.com](mailto:don-bar@don-bar.com)